

Yale[®]
HOISTS

**POWERED HOISTS
& TROLLEYS**



THE MOST FAMOUS NAME IN HOISTS.



Yale's leadership in the hoisting industry has stood for quality for 100 years!

It all began in 1875, when Linus Yale invented the Differential Hoist launching the monorail hoist industry. Since then, the Yale company has contributed numerous advancements, as well as a continued introduction of safety-oriented accessories like the Weston Screw Load Brake, first introduced way back in 1879. Quality engineered and performance tested, Yale products, like the company itself, are built to last.

YALE ELECTRIC CHAIN HOISTS are designed for H4 duty (300 starts/hour, 30 minutes/hour on time), which meets most heavy-duty industrial applications. YALE's range of specifications and features have made it the perfect solution for thousands of hoists sold in industries such as:

- Automotive
- Fabricating Shops/Machine Shops
- Manufactured Housing
- Shipping Receiving and Warehousing
- Chemical Plants
- Lumber Mills
- Foundries and Steel Mills
- Textile
- Pulp and Paper
- Marine
- Construction
- Plastics

Yale also offers special hoists for specific industries

Food Handling and Pharmaceutical

Options include clean hoist (no paint) or FDA approved epoxy enamel paint, stainless steel lower block, hooks and chain and food grade oil for gear transmission.

Corrosion Resistant / Plating Applications

Options include zinc-plated load chain and hooks, zinc-plated or anodized lower block, motor shaft seal and sealing of electrical joints.

Explosion Proof and Spark Resistant Features

Hoist options allow for use in Class 1, Div. 2, Group C & D applications and Class 2, Div. 2, Group F & G. Options include NEMA 7 panel for Class 1, Div. 2 and NEMA 4/12 panel for Class 2, Div. 2, stainless steel load chain, hook & lower block and intrinsically safe relays.

Precision Handling

Yale offers a wide range of hoisting speeds to suit your application. Optional 2-speed control (3:1 speed ratio) or variable frequency control (10:1 speed ratio) will offer precision handling control of loads.

Outdoor Service

Weather resistant options such as zinc-plated load chain, water resistant covers and sealing of electrical joints make the hoist a good choice for use in outdoor applications.

There's a **YALE HOIST** for every job.

Think Safety, Think Yale

Standard safety features:

- Overload Clutch – prevents and protects operator, hoist and supporting structure from lifting excessive loads.
- Electronic Upper & Lower Limit Switch – Automatically shuts down power to the hoist, preventing lower block from two-blocking into hoist frame. Easy adjustment with a press of a button.
- Designed to meet ASME/ANSI B30.16, CSA, NEC electrical codes and is ISO9001 certified.

Yale Model KELC Electric Hoist Cutaway

NEW Heavy-Duty Motor Brake

AC spring set disc brake for positive braking action and long life with minimal maintenance. Easy 1-step adjustment procedure.

Gearing

Totally enclosed, oil-bath lubricated for long life.

High-Torque, Heavy-Duty Hoist Motor

Motors are H4 30-minute rated with class "F" insulation and include a thermal actuated switch (TAS) embedded in the motor winding for protection.

Load Sprocket & Chain Guide

Provided with a full floating chain guide that assures proper engagement of chain on sprocket.

Lower Block

Provided with a 360° rotating hook riding on thrust bearings. The hook is provided with a spring-loaded latch as standard.

Push-Button Controls

Standard push-button control station is contoured for operator comfort allowing easy one-handed sure grip control and provided with a weatherproof NEMA-4X enclosure. The push-button cable is provided with built-in strain relief to help prevent cable damage.



Overload Protection

Prevents lifting loads beyond the hoist's load range, which may damage the hoist or supporting structure. Optional mechanical load brake available.

Suspension

Hook suspension permits portability of the hoist while lug suspension reduces headroom and can be used with any of our rigid-mount trolleys. New design allows easy change out of either hook or lug suspension.

Paddle Limit Switch

Paddle upper & lower control limit switch standard on all hoists.

Hoist Controls

Single speed (standard) or optional two speed and variable frequency for precision handling is located under a removable cover for easy access.

Powder Coat Finish

Provides a long lasting durable finish and added resistance to corrosive environments.

Chain Container

Included as standard for lifts up to 30' (1/4-1 ton capacities) or 20' for 2 & 3 ton capacities.

Die-Cast Aluminum Alloy Housing and Frame

Lightweight & rugged. Housing is precision machined for accurate gear and bearing alignment.

All hoists are built in compliance to ASME/ANSI B30.16 standards and NEC electrical codes. Yale® Model KELC electric hoists and motor-driven trolleys are CSA approved and are ISO9001 certified.

Specifications

| | |
|------------------------|--|
| Capacity Range | 1/4 thru 3 tons |
| Lift | 10 feet standard, additional lifts available. |
| Lifting Speed | 5 to 64 FPM |
| AC Power Supply | 115/230 1-60 HZ; 230/460-3-60 reconnectable or 208 and 575-3-60 single voltage |
| Control | Push-button control voltage of 115-volts standard on all models. 24-volt control optional. |
| Suspension | Hook and Lug |



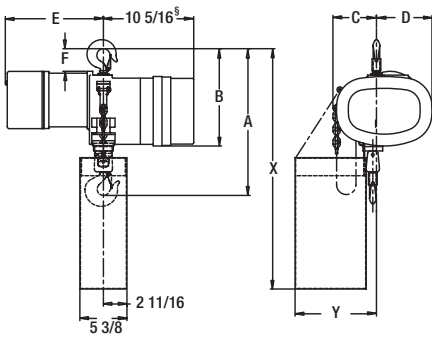
Model KELC Hook & Lug Mounted Electric Hoists



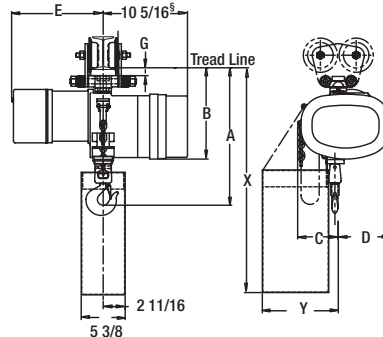
- Single speed standard. Optional 2-speed or variable frequency control available for precision load spotting.
- Heavy-duty AC spring set motor brake with easy 1-step adjustment procedure.
- Gearing totally enclosed in oil-bath lubrication for long life.
- High-torque H4 rated heavy-duty motor with Class 'F' insulation with thermal actuated switches embedded in the motor winding for protection from overheating.
- Weatherproof NEMA-4x enclosed push-button control station specially contoured for operator comfort allowing easy one-handed sure grip control.
- Paddle upper & lower hoist travel limit switch.
- Powder coat finish provides long lasting durable finish and added resistance to corrosive environments.
- Overload protection prevents lifting excessive loads.
- Choice of either hook suspension permitting portability of the hoist or lug suspension which reduces valuable headroom.
- All hoists are built in compliance to ASME/ANSI B30.16 & CSA standards, ISO certified and NEC electrical codes.



Hook Mount



Lug Mount



Specifications & Dimensions

§ This dimension becomes 11-5/16" for 2 speed and 2-1/2 HP models only.

| Capacity | Hoist Catalog # | Lift Speed | Motor | Parts of Chain | Net Weight | A | | B | | C | D | E** Max. | F | G | X*** | | |
|----------|-----------------|------------|-------|----------------|------------|--------|----------|---------|---------|-------|--------|----------|---------|--------|--------|--------|--------|
| | | | | | | Hook | Lug | Hook | Lug | | | | | | Hook | Lug | Y |
| tons | | FPM | H.P. | | lbs | in | in | in | in | in | in | in | in | in | in | in | in |
| 1/4 | KELC2516 | 16 | 1/4* | 1 | 77 | 16-3/4 | 16-13/16 | 11-1/8 | 11-3/16 | 5 | 6-5/16 | 14-1/4 | 2-9/16 | 15/16 | 27-1/2 | 27-5/8 | 9-1/2 |
| | KELC2532 | 32 | 1/2 | | 80 | | | | | | | | | | | | |
| | KELC2564 | 64 | 1 | | 77 | | | | | | | | | | | | |
| 1/2 | KELC5016 | 16 | 1/2 | 1 | 80 | 16-3/4 | 16-13/16 | 11-1/8 | 11-3/16 | 5 | 6-5/16 | 14-1/4 | 2-9/16 | 15/16 | 27-1/2 | 27-5/8 | 9-1/2 |
| | KELC5032 | 32 | 1 | | 81 | | | | | | | | | | | | |
| 1 | KELC0108 | 8 | 1/2 | 1 | 88 | 17-1/2 | 17-3/8 | 11-7/16 | 11-3/8 | 5-1/8 | 6-5/16 | 14-1/4 | 2-15/16 | 1-1/8 | 27-7/8 | 27-3/4 | 9-1/2 |
| | KELC0116 | 16 | 1 | | 89 | | | | | | | | | | | | |
| | KELC0132 | 32 | 2-1/2 | | 95 | | | | | | | | | | | | |
| 2 | KELC0204 | 4 | 1/2 | 2 | 110 | 23 | 22-1/16 | 13-1/8 | 12-3/16 | 6-3/8 | 5-1/16 | 14-1/4 | 4-9/16 | 1-1/16 | 33-1/2 | 32-5/8 | 10-3/4 |
| | KELC0208 | 8 | 1 | | 111 | | | | | | | | | | | | |
| | KELC0216 | 16 | 2-1/2 | | 112 | | | | | | | | | | | | |
| 3 | KELC0305 | 5 | 1 | 3 | 136 | 25-7/8 | 26-5/16 | 14-3/8 | 14-7/8 | 7-7/8 | 7-1/8 | 14-1/4 | 5-7/8 | 2 | 38-7/8 | 39-1/4 | 12-1/4 |
| | KELC0310 | 10 | 2-1/2 | | 146 | | | | | | | | | | | | |

* Two speed hoist has a 1/2 H.P. motor

** Maximum length between one & two speed model hoists. Consult factory for exact dimensions.

*** Dimensions based on lifts thru 30 ft (1/4 - 1 Ton capacities), thru 15 ft lift (2 Ton capacity) and thru 10 ft lift (3 Ton capacity)

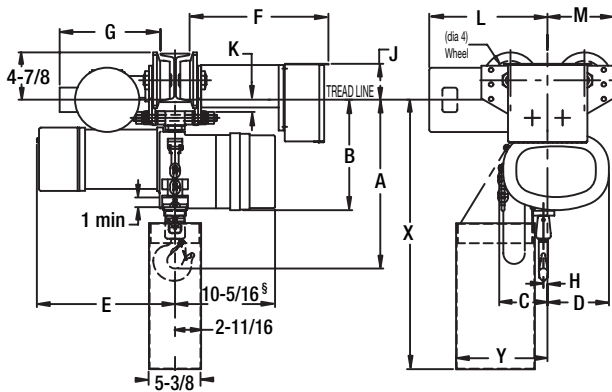
Model KELC Lug Mounted Electric Hoists with Motor Driven Trolleys



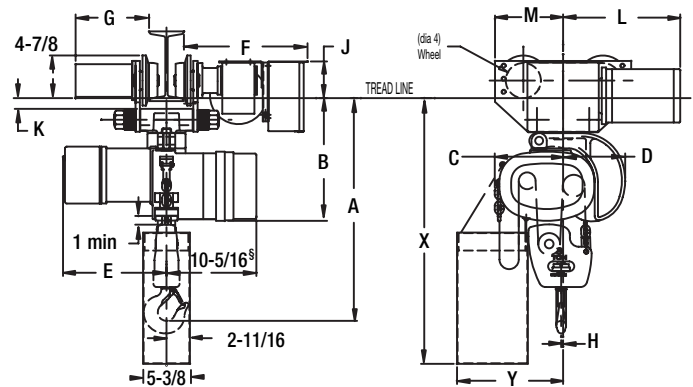
One & Two Speed Hoists

- Single speed standard. Optional 2-speed or variable frequency control available for precision load spotting for both hoist and trolley motions.
- Heavy-duty AC spring set hoist motor brake with easy 1-step adjustment procedure.
- Trolley worm gear design provides smooth stopping performance.
- Hoist gearing totally enclosed in oil-bath lubrication for long life.
- Weatherproof NEMA-4x enclosed push-button control.
- Paddle upper & lower hoist travel limit switch.
- Hoist overload protection prevents lifting excessive loads.
- All hoists and trolleys are built in compliance to ASME/ANSI B30.16 & CSA standards, NEC electrical codes and are ISO 9001 certified.

1/4, 1/2, 1 & 2 Ton Trolley



3 Ton Trolley



Specifications & Dimensions

§ This dimension becomes 11-5/16" for 2 speed and 2-1/2 HP models only.

| Capacity | Hoist Catalog Number | Lift Speed | Motor | Parts of Chain | Net Weight | A | B | C | D | E** Max. | F Max. | G Max. | J | K | L Max. | M Max. | X*** | Y | H | |
|----------|----------------------|------------|-------|----------------|------------|---------|---------|-------|--------|----------|---------|--------|---------|--------|---------|---------|--------|--------|------|--|
| tons | | FPM | H.P. | | lbs. | in | in | in | in | in | in | in | in | in | in | in | in | in | in | |
| 1/4 | KELC2516 | 16 | 1/4* | 1 | 162 | | | | | | | | | | | | | | | |
| | KELC2532 | 32 | 1/2 | | 165 | 17-1/16 | 10-3/16 | 5 | 6-5/16 | 14-1/4 | 14-3/8 | 10-3/8 | 3-3/4 | 1-3/16 | 12-1/4 | 6-13/16 | 27-7/8 | 9-1/2 | 7/16 | |
| | KELC2564 | 64 | 1 | | 164 | | | | | | | | | | | | | | | |
| 1/2 | KELC5016 | 16 | 1/2 | 1 | 165 | 17-1/16 | 10-3/16 | 5 | 6-5/16 | 14-1/4 | 14-3/8 | 10-3/8 | 3-3/4 | 1-3/16 | 12-1/4 | 6-13/16 | 27-7/8 | 9-1/2 | 7/16 | |
| | KELC5032 | 32 | 1 | | 166 | | | | | | | | | | | | | | | |
| | KELC0108 | 8 | 1/2 | | 173 | | | | | | | | | | | | | | | |
| 1 | KELC0116 | 16 | 1 | 1 | 174 | 17-7/16 | 10-3/16 | 5 | 6-5/16 | 14-1/4 | 14-5/16 | 10-3/8 | 3-11/16 | 1-3/16 | 12-1/4 | 6-13/16 | 27-7/8 | 9-1/2 | 7/16 | |
| | KELC0132 | 32 | 2-1/2 | | 182 | | | | | | | | | | | | | | | |
| | KELC0204 | 4 | 1/2 | | 207 | | | | | | | | | | | | | | | |
| 2 | KELC0208 | 8 | 1 | 2 | 209 | 22-1/4 | 11-1/8 | 6-3/8 | 7-1/16 | 14-1/4 | 14-1/2 | 10-1/2 | 4-3/8 | 1-1/4 | 12-1/4 | 7-9/16 | 28-3/4 | 10-3/4 | 3/16 | |
| | KELC0216 | 16 | 2-1/2 | | 210 | | | | | | | | | | | | | | | |
| | KELC0305 | 5 | 1 | | 296 | | | | | | | | | | | | | | | |
| 3 | KELC0310 | 10 | 2-1/2 | 304 | 25-9/16 | 12-7/8 | 7-7/8 | 7-1/8 | 14-1/4 | 14-1/4 | 8-1/2 | 4-3/16 | 1-1/4 | 13-1/2 | 7-13/16 | 30-1/2 | 12-1/4 | 7/32 | | |

* Two speed hoist has a 1/2 H.P. motor

** Maximum length between one & two speed model hoists. Consult factory for exact dimensions.

*** Dimensions based on lifts thru 30 ft (1/4 - 1 Ton capacities), thru 15 ft lift (2 Ton capacity) and thru 10 ft lift (3 Ton capacity)

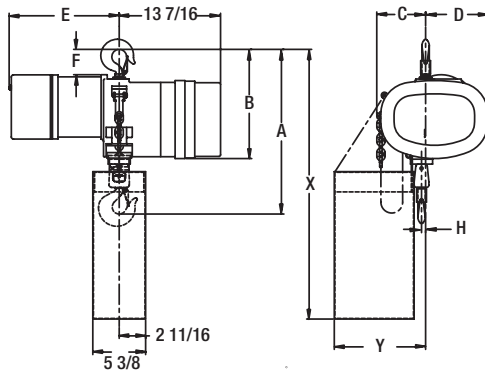


Model KELC - VFD Electric Hoists

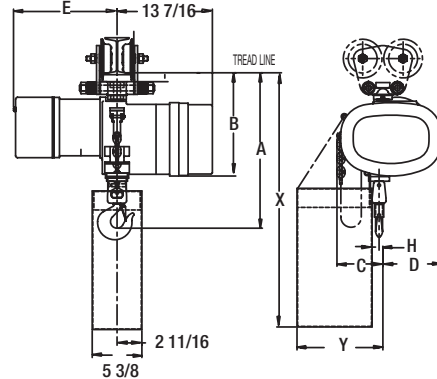


- Variable speed control with single speed motor.
- Minimizes high-starting current on motor which helps keep it cool extending life of motor and also permits increase in motor run-time and starts/stops over standard contactor control.
- Electronic reversing, multispeed operation (up to 3 steps) eliminates conventional magnetic contactors which are wearable components.
- Voltages available are 380-460/3/60, 208-230/3/60 and 208-230/1/60.
- 10:1 speed ratio permits precise positioning for load spotting.
- H4 duty rating.
- 2-step infinitely variable push-button control standard. 3-step also available.
- Thermal overload protection.
- Fault recorder helps troubleshoot various problems, such as power related issues.
- 3 programmable outputs.

Hook Mount



Lug Mount



Specifications & Dimensions

| Capacity | Hoist Catalog # | Lift Speed | Motor | Parts of Chain | Net Weight | A | | B | | C | D | E* Max. | F | G | X** | | Y |
|----------|-----------------|------------|-------|----------------|------------|--------|----------|---------|---------|-------|--------|---------|---------|--------|--------|--------|--------|
| | | | | | | Hook | Lug | Hook | Lug | | | | | | Hook | Lug | |
| tons | | FPM | H.P. | | lbs | in | in | in | in | in | in | in | in | in | in | in | in |
| 1/4 | KELC2516V | 16 | 1/4 | 1 | 77 | 16-3/4 | 16-13/16 | 11-1/8 | 11-3/16 | 5 | 6-5/16 | 14-1/4 | 2-9/16 | 15/16 | 27-1/2 | 27-5/8 | 9-1/2 |
| | KELC2532V | 32 | 1/2 | | 80 | | | | | | | | | | | | |
| | KELC2564V | 64 | 1 | | 77 | | | | | | | | | | | | |
| 1/2 | KELC5016V | 16 | 1/2 | 1 | 80 | 16-3/4 | 16-13/16 | 11-1/8 | 11-3/16 | 5 | 6-5/16 | 14-1/4 | 2-9/16 | 15/16 | 27-1/2 | 27-5/8 | 9-1/2 |
| | KELC5032V | 32 | 1 | | 81 | | | | | | | | | | | | |
| | KELC0108V | 8 | 1/2 | | 88 | | | | | | | | | | | | |
| 1 | KELC0116V | 16 | 1 | 1 | 89 | 17-1/2 | 17-3/8 | 11-7/16 | 11-3/8 | 5-1/8 | 6-5/16 | 14-1/4 | 2-15/16 | 1-1/8 | 27-7/8 | 27-3/4 | 9-1/2 |
| | KELC0132V | 32 | 2-1/2 | | 95 | | | | | | | | | | | | |
| | KELC0204V | 4 | 1/2 | | 110 | | | | | | | | | | | | |
| 2 | KELC0208V | 8 | 1 | 2 | 111 | 23 | 22-1/16 | 13-1/8 | 12-3/16 | 6-3/8 | 5-1/16 | 14-1/4 | 4-9/16 | 1-1/16 | 33-1/2 | 32-5/8 | 10-3/4 |
| | KELC0216V | 16 | 2-1/2 | | 112 | | | | | | | | | | | | |
| | KELC0305V | 5 | 1 | | 136 | | | | | | | | | | | | |
| 3 | KELC0310V | 10 | 2-1/2 | 3 | 146 | 25-7/8 | 26-5/16 | 14-3/8 | 14-7/8 | 7-7/8 | 7-1/8 | 14-1/4 | 5-7/8 | 2 | 38-7/8 | 39-1/4 | 12-1/4 |

** Maximum length for 3 phase model hoists. Consult factory for exact dimensions.

*** Dimensions based on lifts thru 30 ft (1/4 - 1 Ton capacities), thru 15 ft lift (2 Ton capacity) and thru 10 ft lift (3 Ton capacity)

Model KELC Electric Hoist Options & Accessories



WEATHER RESISTANT Weather resistant options such as water resistant covers, zinc-plated load chain, upper & lower hooks and sealing of electrical joints permit the hoist to be used for outdoor applications.



HEAVY-DUTY RIGID MOUNT TROLLEYS FOR HEAVY-DUTY SERVICE TRAVERSE APPLICATIONS

Designed for use specifically with YALE® lug mounted electric chain hoists. The wheels are heat treated forged steel with dual tread design for operation on either "S" or wide flange beams. Sealed precision ball bearings and heavy gauge steel side plates provide a heavy-duty unit. Optional drop lugs available.



ELECTRONIC LIMIT SWITCH

Electronic upper & lower limit switch only requires a press of a button to set your hook travel limits.



LUG SUSPENSION BRACKETS

Used to convert hoists from hook to lug suspensions. Must be used to accommodate rigid mount push, hand-gear and motor-driven trolleys.



FOOD & PHARMACEUTICAL SERVICE OPTIONS

Clean hoist (no paint) or FDA approved epoxy enamel paint, stainless steel load chain, hooks & lower block, and food grade lubrication.



PUSH-BUTTON STATION

All motions can be controlled from a convenient, easy to operate NEMA 4X push-button station. Push-button stations are available for one and two speed, or variable frequency applications.



CABLE REELS

Spring loaded reels keep power conductor cables taut and out of the way. Suitable for use with YALE and other electric hoists and trolleys. Cable reel is stationary type with a 340° pivot base.

Packed with power.

Introducing the new Yale® Electric Chain Hoist for 2 to 7 1/2-ton lifting applications. Ideal for automotive, heavy manufacturing, paper mills, and other industries.

The heavy-duty motor and gearing assure reliable load lifting, day after day, even under tough conditions.

The Yale® XL Electric Chain Hoist features:

- Forged 10-pocket oblique-lay liftwheel for smooth chain operation, constant chain speed and reduced chain wear.
- Gearing operates in oil bath. Designed for exceptionally long life and quiet operation.
- Heavy-duty multiple disc braking system.
- Hardened, forged steel, latch type hooks.
- Hoistaloy® load chain for long, dependable service.
- Thermally protected heavy-duty hoist motor.
- Standard Protector overload device.
- Standard screw-type limit switches.
- Easy installation and maintenance.
- Provides high reliability and long life.
- Rated H-4, heavy duty.
- Factory tested at 125% of rated capacity prior to shipment.



Oblique-lay liftwheel

- 10-pocket liftwheel
- Forged alloy steel, machined and heat-treated for additional strength and durability
- Smooth chain flow
- True vertical lift

Heavy-duty hoist motor with regenerative braking

Hoist motor designed for industrial applications. Integral motor design:

- Meets and exceeds HMI (Hoist Manufacturers Institute) duty cycle rating for heavy-duty service (H-4)
- Provides efficiency and cooler operation for longer life
- Gives substantially higher duty cycle for greater productivity
- Uses efficient regenerative braking that avoids heat generation or power reduction in power train
- Thermally protected
- Single speed or 3:1 two speed option
- Low voltage 120V control circuit
- 30-minute rated motor
- Fast acting brake

Machined and heat-treated, case-hardened gears

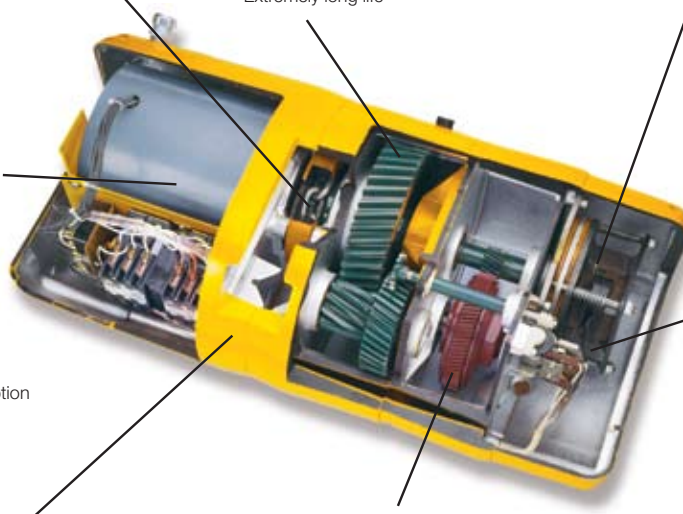
Triple reduction helical gear system operates in oil bath and provides:

- Superior service and maintenance characteristics
- Smooth operation/reduced wear
- Extremely long life

Multiple-disc electric hoist brake

Heavy-duty electric hoist brake provides positive load control. Performance features:

- Eliminates heat buildup found in mechanical type braking systems
- Securely holds load, even in event of power failure
- Requires little maintenance, minimal adjustments



Extra long-lift adjustable screw limit switches are standard equipment.

Tailor hoist operation to suit your specific application. Adjustable screw limit switches:

- Come factory set for full hook travel, but easily adjust for any desired position
- Prevent overtravel of hoist load chain
- Hold settings even after engaging YALE® XL Protector

Cast aluminum alloy housing and covers.

Integral frame and housing design provides lightweight low-profile hoist for:

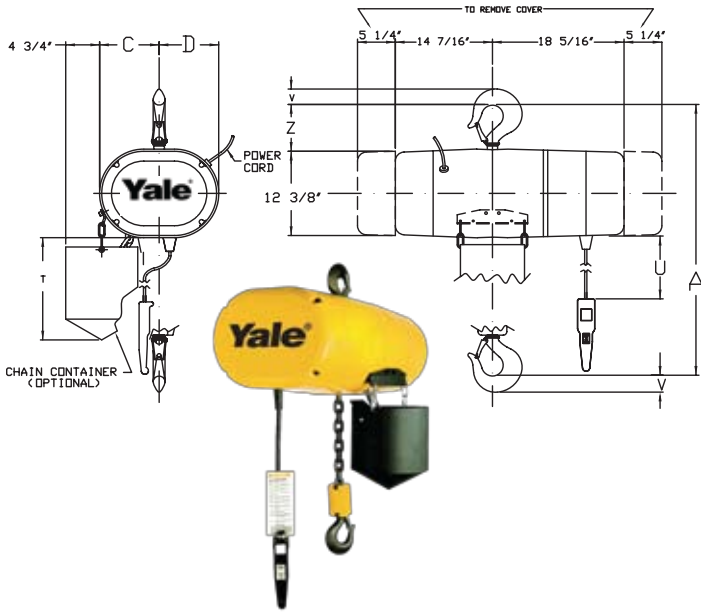
- Minimum headroom/maximum lift
- Better heat dissipation from motor and gear train for increased longevity
- Factory weatherproofing or acid protection available for use in adverse conditions

Standard overload protection.

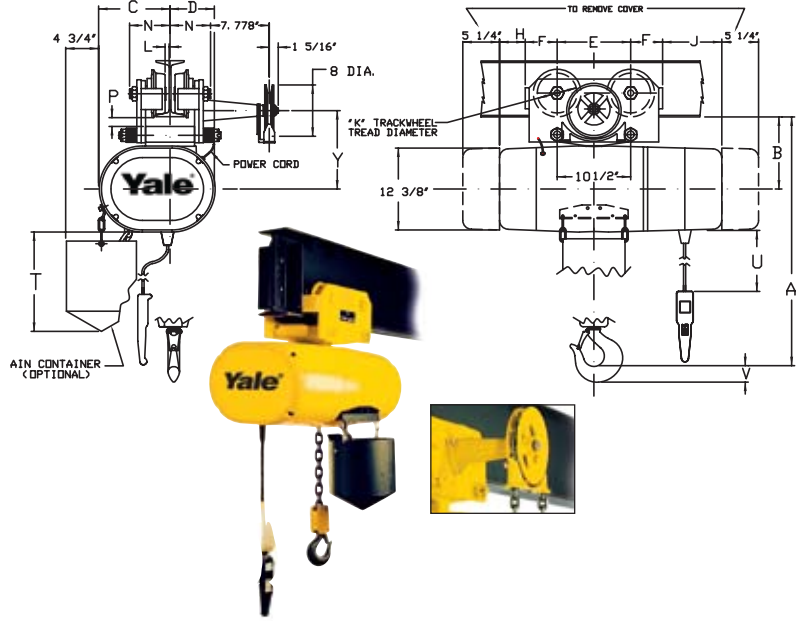
YALE® XL Protector takes the worry out of hoist operation through:

- Factory calibration
- Positive overload protection that prevents lifting of dangerous loads
- Extra security in the event of limit switch mis-adjustment or mis-phasing of power leads

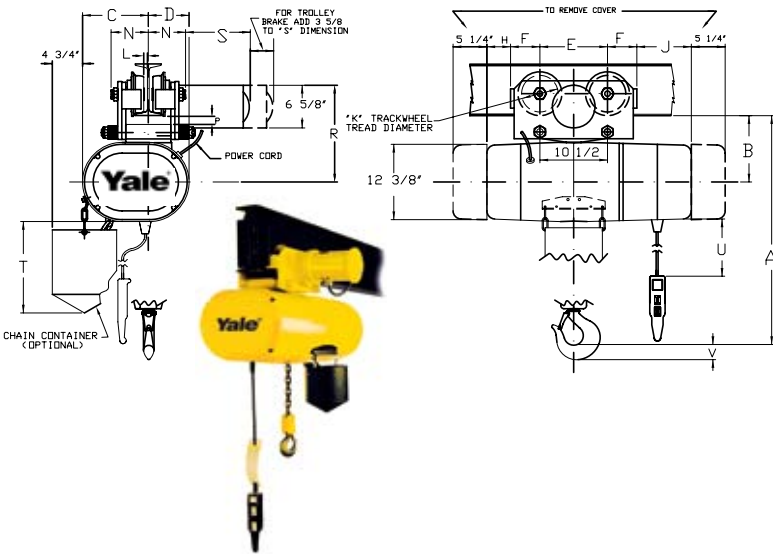
XL-Hook Suspension



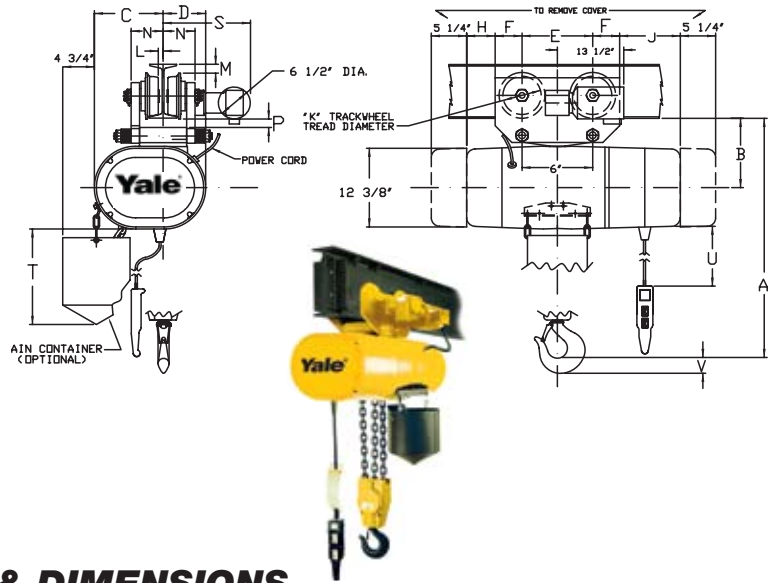
XL-Plain Trolley and Geared Trolley



XL-Motor Driven Trolley (2 Ton)



XL-Motor Driven Trolley (3-7.5 Ton)



CATALOG NUMBERS, SPECIFICATIONS & DIMENSIONS

| Capacity tons | Lift Speed FPM | Motor H.P. | Parts of Chain | Hoist Catalog # | Net Weight lbs | Dimensions (in.) | | | | | | | | | | | | | | | | | | |
|------------------|----------------------|---------------|-------------------|-----------------------|----------------------|---------------------|---------------------|-------------------|------------------|------------------|--------------------|--------------------|--------------------|--------------------|-----|--------------------|------------------|------------------|--------------------|--------------------|-------|------------------|------------------|--------------------|
| | | | | | | A** | B | C | D | E | F | H | J | K | L | M | N | P | S | T*** | U*** | V | W | Y**** |
| 2 | 18 | 3.5 | 1 | YXL0218 | 368 | 28 ^{11/16} | 9 ^{3/4} | 8 ^{7/16} | 8 ^{3/8} | 9 ^{1/2} | 3 ^{1/2} | 5 ^{1/4} | 10 ^{1/16} | 4 ^{11/16} | 1/2 | 1/2 | 5 | 1 ^{1/4} | 12 ^{7/16} | 14 ^{3/16} | 6'-3" | 1 ^{1/2} | 1 ^{1/8} | 11 ^{5/16} |
| | 24 | | | YXL0224 | | | | | | | | | | | | | | | | | | | | |
| | 30 | | | YXL0230 | | | | | | | | | | | | | | | | | | | | |
| 3 | 9 | 3.5 | 2 | YXL0309 | 442 | 35 ^{3/16} | 10 ^{7/16} | 11 ^{3/8} | 5 ^{1/2} | 9 ^{1/8} | 3 ^{1/4} | 5 ^{11/16} | 10 ^{1/2} | 4 | 5/8 | 2 ^{11/16} | 3 ^{5/8} | 3/8 | 11 ^{3/8} | 14 ^{3/16} | 6'-3" | 2 ^{1/4} | 1 ^{5/8} | 12 ^{7/8} |
| | 12 | | | YXL0312 | | | | | | | | | | | | | | | | | | | | |
| | 15 | | | YXL0315 | | | | | | | | | | | | | | | | | | | | |
| 4 | 9 | 3.5 | 2 | YXL0409 | 442 | 35 ^{3/16} | 10 ^{11/16} | 11 ^{3/8} | 5 ^{1/2} | 12 | 4 ^{13/16} | 2 ^{11/16} | 7 ^{1/2} | 6 ^{1/2} | 5/8 | 0 | 3 ^{7/8} | 7/16 | 13 ^{3/16} | 14 ^{3/16} | 6'-3" | 2 ^{1/4} | 1 ^{5/8} | 11 ^{1/8} |
| | 12 | | | YXL0412 | | | | | | | | | | | | | | | | | | | | |
| | 15 | | | YXL0415 | | | | | | | | | | | | | | | | | | | | |
| 5 | 6 | 3.5 | 3 | YXL0506 | 474 | 35 ^{3/16} | 10 ^{11/16} | 11 ^{3/8} | 5 ^{1/2} | 12 | 4 ^{13/16} | 2 ^{11/16} | 7 ^{1/2} | 6 ^{1/2} | 5/8 | 0 | 3 ^{7/8} | 7/16 | 13 ^{3/16} | 14 ^{3/16} | 6'-3" | 2 ^{1/4} | 1 ^{5/8} | 11 ^{1/8} |
| | 8 | | | YXL0508 | | | | | | | | | | | | | | | | | | | | |
| | 9 | | | YXL0509 | | | | | | | | | | | | | | | | | | | | |
| 6 | 6 | 3.5 | 3 | YXL0606 | 474 | 36 ^{3/16} | 10 ^{11/16} | 11 ^{3/8} | 5 ^{1/2} | 12 | 4 ^{13/16} | 2 ^{11/16} | 7 ^{1/2} | 6 ^{1/2} | 5/8 | 0 | 3 ^{7/8} | 7/16 | 13 ^{3/16} | 14 ^{3/16} | 6'-3" | 2 ^{1/4} | 1 ^{5/8} | 11 ^{1/8} |
| | 8 | | | YXL0608 | | | | | | | | | | | | | | | | | | | | |
| | 10 | | | YXL0610 | | | | | | | | | | | | | | | | | | | | |
| 7 ^{1/2} | 6 | 5.5 | 3 | YXL07.506 | 484 | 36 ^{3/16} | 10 ^{11/16} | 11 ^{3/8} | 5 ^{1/2} | 12 | 4 ^{13/16} | 2 ^{11/16} | 7 ^{1/2} | 6 ^{1/2} | 5/8 | 0 | 3 ^{7/8} | 7/16 | 13 ^{3/16} | 14 ^{3/16} | 6'-3" | 2 ^{1/4} | 1 ^{5/8} | 11 ^{1/8} |
| 10 | YXL07.510 | | | | | | | | | | | | | | | | | | | | | | | |

*Hook mount not available on 7^{1/2} ton capacity, ** 'A' dimension represents largest dimension between hook and lug suspension. Consult factory for exact dimensions.

*** Dimension based on 10' lift. **** Geared trolley dimension only.

Standard beam flange adjustable range - 2-Ton (3.33" - 5.55"); 3 - 7^{1/2} Ton (4.00" - 6.25"). Minimum radius curve - 2 & 3 Ton (4 ft.); 4-7^{1/2} Ton (6 ft.).

Dimensions listed are for minimum size 'S' beams.

Yale YJL Models

Designed for industrial-duty performance. Compact in size, the YJL has standard features such as a multiple disc motor brake, overload clutch, and adjustable limit switches.

Features

- Five-Pocket Load Sheave – Increased chain and sheave engagement 25% over hoists with conventional four-pocket sheaves. Provides smoother lifting and reduces chain wear.
- Mechanical Overload Protection Device – Helps protect hoist, operator, and supporting structures from damaging overloads, chain jamming and reverse phasing.
- Limit Switches – Adjustable to regulate upper and lower load travel.
- Multiple Disc Motor Brake – Heavy-duty design for reliable operation. Direct acting for positive load holding and spotting.

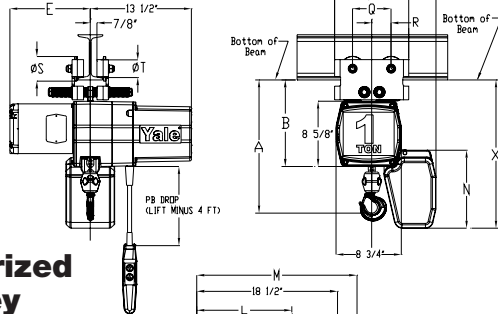
- Oil Bath Transmission – Precision machined alloy steel gears run in oil bath for longer, quieter operation.
- Manual and Motorized trolleys – Single and Dual Speed Models.
- Precision Trolley Wheels – Dual tread trolley wheels fit either flat or tapered I-Beams. Also available in bronze or stainless steel.
- Patented track wheels are available.
- Lifetime warranty.

Specifications

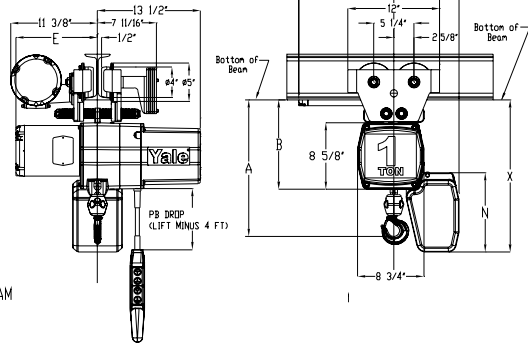
- Capacities & Lifts – Rated loads from 1/4 to 2 Tons Metric Rated. Standard lifts of 10, 15, and 20 feet. Other lifts available. CSA approved.
- Voltages – 115/230 – single phase; 230/460, 208, 380, 415, 575—three phase 60 Hertz standard, 50 Hertz available.
- Hoist Motor – Steel housing and Class F Insulation for longer life. 2-speed with 3 to 1 speed ratio available. H4 Duty Rating—Handles heavy duty work environments.
- Weather Resistant – Hoist is NEMA 3R enclosure.



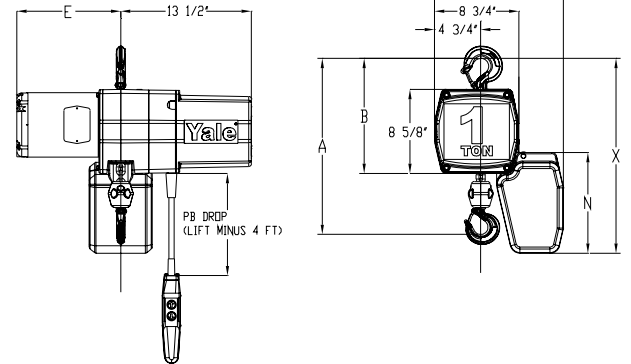
Lug Mount



Motorized Trolley



Hook Mount



NOTE:
ALL DIMENSIONS ARE BASED
ON A S6" X 12.5# STD I-BEAM

YJL with Motorized Trolley Specifications & Dimensions

| Capacity | Hoist Catalog # | Lift Speed | Motor | Part of Chain | Net Weight | A | B | E** | N | L | M | X*** |
|----------|-----------------|------------|-------|---------------|------------|-------------------|---------------------|-------------------|-------------------|-------------------|-------------------|-------------------|
| tons | | FPM | H.P. | | lbs. | in. | in. | in. | in. | in. | in. | in. |
| 1/4 | YJL1/4-MT16 | 16 | 1/2 | 1 | 175 | 17 ^{7/8} | 11 ^{5/8} | 11 ^{1/2} | 10 ^{3/8} | 12 ^{1/2} | 21 | 19 ^{7/8} |
| | YJL1/4-MT32 | 32 | 1/2 | | 189 | | | | | | | |
| 1/2 | YJL1/2-MT16 | 16 | 1/2 | 1 | 189 | 17 ^{7/8} | 11 ^{5/8} | 11 ^{1/2} | 10 ^{3/8} | 12 ^{1/2} | 21 | 19 ^{7/8} |
| | YJL1/2-MT32 | 32 | 1 | | 202 | | | | | | | |
| 1 | YJL1-MT16 | 16 | 1 | 1 | 204 | 17 ^{7/8} | 11 ^{5/8} | 11 ^{1/2} | 10 ^{3/8} | 12 ^{1/2} | 21 | 19 ^{7/8} |
| 2 | YJL2-MT8 | 8 | 1 | 2 | 214 | 20 ^{5/8} | 11 ^{11/16} | 11 ^{1/2} | 10 ^{3/8} | 12 ^{1/2} | 21 ^{7/8} | 19 ^{7/8} |

* Weight for 10 ft. lift, lug suspension units with motorized trolley.

** Maximum length for two speed model hoist. 'E' Dimension changes to 10 5/8" for single speed model hoists.

*** Dimension based on standard chain container for 20 ft. lift (single part chain units) and 10 ft. lift (2-part chain units).

YJL with Hook & Lug Specifications & Dimensions

| Capacity | Hoist Catalog # | Lift Speed | Motor | Part of Chain | Net Weight | A | | B | E**max | | N | O | P | Q | R | S Dia. | T Dia. | X*** | |
|----------|-----------------|------------|-------|---------------|------------|-------------------|-------------------|---------------------|-------------------|-------------------|-------------------|--------------------|-------------------|------------------|--------------------|------------------|------------------|--------------------|---------------------|
| | | | | | | Hook | Lug | | Hook | Lug | | | | | | | | Hook | Lug |
| tons | | FPM | H.P. | | lbs. | in. | in. | in. | in. | in. | in. | in. | in. | in. | in. | in. | in. | in. | in. |
| 1/4 | YJL1/4-16 | 16 | 1/2 | 1 | 65 | 18 ^{1/8} | 17 ^{3/4} | 11 ^{13/16} | 11 ^{1/2} | 11 ^{1/2} | 10 ^{3/8} | 13 ^{1/2} | 9 ^{7/8} | 5 ^{1/8} | 2 ^{1/2} | 3 ^{1/4} | 2 ^{3/8} | 20 ^{1/16} | 19 ^{3/4} |
| | YJL1/4-32 | 32 | 1/2 | | 79 | | | | | | | | | | | | | | |
| 1/2 | YJL1/2-16 | 16 | 1/2 | 1 | 79 | 18 ^{1/8} | 17 ^{3/4} | 11 ^{13/16} | 11 ^{1/2} | 11 ^{1/2} | 10 ^{3/8} | 13 ^{1/2} | 9 ^{7/8} | 5 ^{1/8} | 2 ^{1/2} | 3 ^{1/4} | 2 ^{3/8} | 20 ^{1/16} | 19 ^{3/4} |
| | YJL1/2-32 | 32 | 1 | | 92 | | | | | | | | | | | | | | |
| 1 | YJL1-16 | 16 | 1 | 1 | 94 | 18 ^{1/8} | 17 ^{3/4} | 11 ^{13/16} | 11 ^{1/2} | 11 ^{1/2} | 10 ^{3/8} | 13 ^{1/2} | 9 ^{7/8} | 5 ^{1/8} | 2 ^{1/2} | 3 ^{1/4} | 2 ^{3/8} | 20 ^{1/16} | 19 ^{3/4} |
| 2 | YJL2-8 | 8 | 1 | 2 | 104 | 20 ^{7/8} | 20 ^{1/2} | 11 ^{3/4} | 11 ^{1/2} | 11 ^{1/2} | 10 ^{3/8} | 16 ^{7/16} | 11 ^{3/4} | 5 ^{7/8} | 2 ^{15/16} | 4 ^{3/8} | 3 ^{1/8} | 20 ^{1/16} | 19 ^{15/16} |

* Weight for 10 ft. lift, top hook and lug suspension units.

** Maximum length for two speed model hoist. 'E' Dimension changes to 10 5/8" for single speed model hoists.

*** Dimension based on standard chain container for 20 ft. lift (single part chain units) and 10 ft. lift (2-part chain units).



Easy Change Top Suspension

Quick Connect Chain Container

IEC Controls

Yale Air Chain Hoist may be the best solution to your material-handling needs. Air hoists are ideal for many conditions that make electric hoists impractical. Yale Air Chain Hoists feature variable speed control, so expensive electrical controls are unnecessary.



Yale Air Hoist Advantages

- **Precise Load Spotting**
Lifting and lowering speeds are continuously variable from zero to maximum.
- **Operates In Extreme Heat**
The air hoist motor is designed for operation under conditions of relatively high ambient temperatures without need for special protection.
- **Higher Speeds**
For applications where speed is a critical factor in production, Yale air hoists provide very fast lowering speeds.
- **Free From Hazard of Electrical Shock**
Since compressed air is the power source, Yale Air Hoists have a distinct advantage over electrical shock hazards especially in wet locations.
- **Spark Resistant Features**
Spark resistant options allow air hoists to be used in areas where danger of combustion or explosion from atmospheric conditions exist.
- **Easier To Maintain**
There are no contactors, transformers, motor windings, fuses, etc. that are typical in electric hoists that need to be checked or replaced. As long as air going into the air motor is good and lubrication is supplied to the air motor, the Yale Air Hoist is very easy to maintain.



THE MOST FAMOUS NAME IN HOISTS.



- Die-cast aluminum frame - lightweight, rugged, holds shafts and bearings in close alignment.
- Gearing - combination of precision cut, heat-treated helical and spur gears for quiet, efficient operation.
- Mechanical load brake - positive action, spring biased Weston type load brake holds the load and provides exact load spotting and control.
- Overload protection device protects against excessive overloads...clutch also acts at upper and lower limits.
- Multi-vane rotary air motor - eight vanes provide high torque smooth operation, positive starting and excellent control.
- Internal Muffler - reduces sound level.
- Pendant control - pendant throttle handle is of the full flow design for excellent load spotting capabilities.
- Throttle valve - precision throttle valves meter the air for smooth operation.

Basic Hoist Data

Rated Loads

1, 2, and 3-ton (Spark resistant models are rated at 1/2, 1 and 2-ton).

Air Pressure Recommended

90 PSI

Air Consumption

70 SCFM (full load-full speed) slow speed model;
80 SCFM (full load-full speed) fast speed model.

Pendant Control Hose

6 foot pendant hose standard for 10 foot lift hoist, longer hose assemblies up to 36 foot available.

Lift

10 foot lifts are standard. Longer lifts are available.

Net Weight (Basic Hoist)

100 lbs.

Suspension

Hook or lug

Air Inlet Size

3/4 NPTF

Air Supply Hose Size

3/4 I.D. min.

Hook & Lug Suspension Specifications

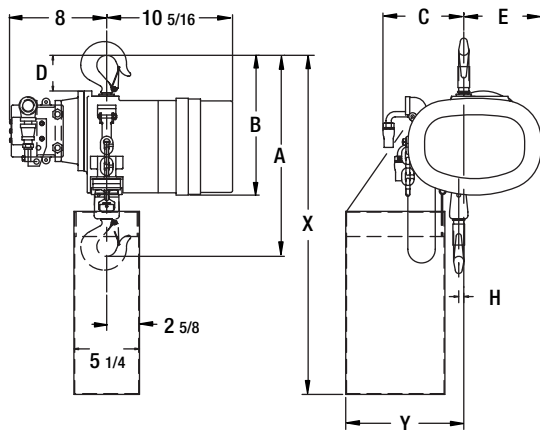
| Capacity | Model | Hoist Catalog # | Full Load Lift Speed | Full Load Lowering Speed | Parts of Chain | Net Weight |
|----------|-----------------|-----------------|----------------------|--------------------------|----------------|------------|
| tons | | | *FPM | *FPM | | in |
| 1/2 | Hook / Spark | 911683 | 16 | 22 | 1 | 95 |
| | Lug / Spark | 911693 | | | | 110 |
| 1 | Hook / Standard | 911644 | 13 | 18 | 1 | 93 |
| | | 911641 | 30 | 42 | | 95 |
| | Hook / Spark | 911684 | 8 | 11 | 2 | 112 |
| | | 911654 | 13 | 18 | | 106 |
| | Lug / Standard | 911651 | 30 | 42 | 1 | 108 |
| | | 911694 | 8 | 11 | | 120 |
| 2 | Hook / Standard | 911645 | 6 | 9 | 2 | 110 |
| | | 911642 | 15 | 12 | | 112 |
| | Hook / Spark | 911685 | 5 | 7 | 3 | 146 |
| | | 911655 | 6 | 9 | | 116 |
| | Lug / Standard | 911652 | 15 | 21 | 2 | 118 |
| | | 911695 | 5 | 7 | | 170 |
| 3 | Hook / Standard | 911646 | 4 | 6 | 3 | 144 |
| | | 911643 | 10 | 14 | | 146 |
| | Lug / Standard | 911656 | 4 | 6 | | 164 |
| | | 911653 | 10 | 14 | | 166 |

*Hoist speeds based on 90 PSI line pressure with full rated hoist load

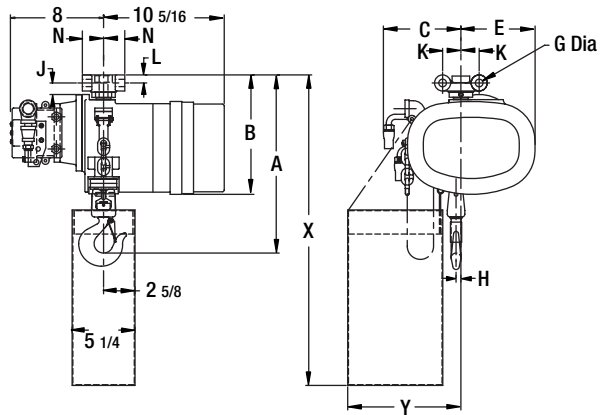
Hook Suspension Specifications & Dimensions

| Capacity | Model | Hoist Catalog # | A | B | C | D | E | H | X | Y |
|----------|-----------------|-----------------|--------|----------|---------|---------|--------|------|----------|---------|
| tons | | | in | in | in | in | in | in | in | in |
| 1/2 | Hook / Spark | 911683 | 16-1/2 | 11-7/16 | 6-5/8 | 2-15/16 | 6-3/8 | 7/16 | 27-13/16 | 9-11/16 |
| 1 | Hook / Standard | 911644 | 16-1/2 | 11-17/16 | 6-5/8 | 2-15/16 | 6-3/8 | 7/16 | 27-13/16 | 9-11/16 |
| | | 911641 | | | | | | | | |
| | Hook / Spark | 911684 | 22 | 13-1/8 | 7-15/16 | 4-9/16 | 5-1/16 | 3/16 | 29-1/2 | 11 |
| 2 | Hook / Standard | 911645 | 22 | 13-1/8 | 7-15/16 | 4-9/16 | 5-1/16 | 3/16 | 29-1/2 | 11 |
| | | 911642 | | | | | | | | |
| | Hook / Spark | 911685 | 24-7/8 | 14-3/8 | 9-3/8 | 5-7/8 | 7-1/8 | 1/4 | 30-3/4 | 12 |
| 3 | Hook / Standard | 911646 | 24-7/8 | 14-3/8 | 9-3/8 | 5-7/8 | 7-1/8 | 1/4 | 30-3/4 | 12 |
| | | 911643 | | | | | | | | |

Hook Suspension



Lug Suspension



Lug Suspension Specifications & Dimensions

| Capacity | Model | Hoist Catalog # | B | C | E | J | K | L | M | N | G | H | X | Y |
|----------|----------------|-----------------|---------|---------|--------|---------|--------|---------|----------|---------|-------|------|---------|---------|
| tons | | | in | in | in | in | in | in | in | in | in | in | in | in |
| 1/2 | Lug / Spark | 911693 | 15-1/4 | 6-5/8 | 6-3/8 | 1 | 1-9/16 | 1-11/16 | 10-13/16 | 1-13/16 | 5/8 | 7/16 | 26-9/16 | 9-11/16 |
| 1 | Lug / Standard | 911654 | 15-1/4 | 6-5/8 | 6-3/8 | 1 | 1-9/16 | 1-11/16 | 10-13/16 | 1-13/16 | 5/8 | 7/16 | 26-9/16 | 9-11/16 |
| | | 911651 | | | | | | | | | | | | |
| | Lug / Spark | 911694 | 21 | 7-15/16 | 5-1/16 | 1-11/16 | 2-1/2 | 1-7/8 | 11-1/8 | 2-3/16 | 1 | 3/16 | 27-1/2 | 11 |
| 2 | Lug / Standard | 911655 | 21 | 7-15/16 | 5-1/16 | 1-11/16 | 2-1/2 | 1-7/8 | 11-1/8 | 2-3/16 | 1 | 3/16 | 27-1/2 | 11 |
| | | 911652 | | | | | | | | | | | | |
| | Lug / Spark | 911695 | 23-5/16 | 9-3/8 | 7-1/8 | 3-1/16 | 3 | 1-1/4 | 12-7/8 | 3 | 1-1/4 | 1/4 | 29-1/4 | 12 |
| 3 | Lug / Standard | 911656 | 23-5/16 | 9-3/8 | 7-1/8 | 3-1/16 | 3 | 1-1/4 | 12-7/8 | 3 | 1-1/4 | 1/4 | 29-1/4 | 12 |
| | | 911653 | | | | | | | | | | | | |

Spark Resistant Models

Spark resistant hoists offer greater protection in hazardous environments. Components for spark resistance includes bronze alloy hooks with stainless steel hook latches, lower blocks of stainless steel on single part chain and aluminum on 2 and 3 part chain, chrome nickel non-magnetic stainless steel alloy load chain, bronze limit stop with aluminum limit actuators and modified sprocket and guide. A spark resistant chain container is recommended on 10 foot lift spark resistant hoists. Spark resistant chain containers are stainless steel.

The spark resistant KALC air hoists have lower speeds and are derated due to the use of stainless steel load chain. The lower wear life of stainless steel chain limits applications to medium-duty service.

When specifying lug suspended spark resistant hoists, care must be taken in the trolley selection to assure that the trolley fits the derated hoist lug. If this is your first purchase, consult the factory for assistance.



- Pull cord control provides a lightweight, economical hoist for accurate control of loads.
- Pendant throttle control hoists offer ergonomic one-handed controls, for ease of operation.
- Inlet air swivel with built-in strainer provides free hoist movement.
- Aluminum frame and end cover contributes to the lightweight, easily portable, and rugged design.
- Heavy-duty shoe type brake is a proven design for stopping and holding loads in heavy-duty applications.
- External adjustment screws for decreased lift and lower speeds.
- External brake adjustment.
- Limit stops prevent over-travel in upper and lowering directions.
- Planetary gearing of alloy steel, heat-treated spur gears is accurately machined to provide a close meshed, compact gear reduction.
- Eight-vane motor provides high torque, smooth starting and excellent control.
- Tapped exhaust port 1/2 NPTF...for CLEAN applications or to add a supplemental muffler in addition to the built-in muffler for even quieter operation.

Basic Hoist Data

Rated Loads

1/4, 1/2, and 1-ton (Spark resistant models are rated at 3/8 and 3/4-ton).

Air Pressure Recommended

90 PSI

Air Consumption

48 SCFM at 90 PSI

Pendant Control Hose

6 foot length is standard. Longer lengths are available up to 72 ft. of lift.

Control

Pull cord or pendant throttle

Lift

10 foot lifts are standard. Longer lifts are also available.

Net Weight (Basic Hoist)

36 lbs.

Suspension

Hook or lug

Air Inlet Size

3/8 NPTF

Air Supply Hose Size

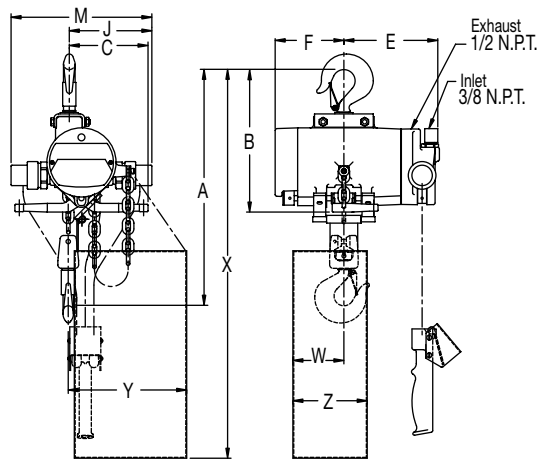
1/2 I.D. min.

Air Exhaust

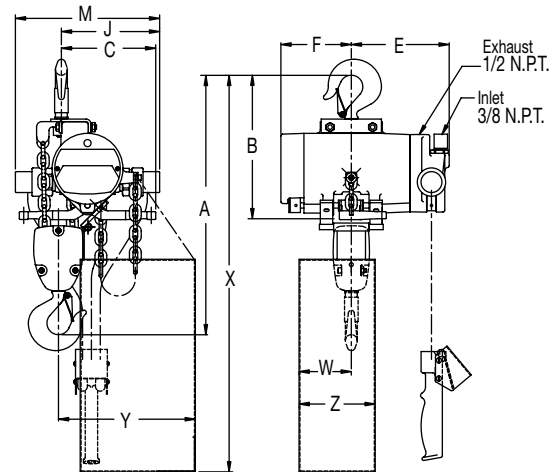
1/2 NPTF

Hook & Lug Suspension Specifications

| Type | Capacity tons | Pull Cord Control | | Pendant Throttle Control | | Parts of Load Chain in | Lifting Speed Max** in | Lowering Speed Max** in |
|-------------------------------|------------------|-------------------|--------------------|--------------------------|--------------------|---------------------------|---------------------------|----------------------------|
| | | Model # | Net Weight lbs. | Model # | Net Weight lbs. | | | |
| Hook Mount Trolleys | | | | | | | | |
| Standard Models | | | | | | | | |
| Roller Chain | 1/4 | 2201 | 37 | 2202 | 47 | 1 | 65 | 95 |
| | 1/2 | 2203 | 37 | 2204 | 47 | 1 | 45 | 120 |
| | 1 | 2205 | 51 | 2206 | 61 | 2 | 23 | 60 |
| Link Chain | 1/4 | 2211 | 36 | 2212 | 46 | 1 | 65 | 95 |
| | 1/2 | 2215 | 36 | 2216 | 46 | 1 | 45 | 120 |
| | 1 | 2219 | 49 | 2220 | 59 | 2 | 23 | 60 |
| Spark Resistant Models | | | | | | | | |
| Link Chain | 3/8 | 2241 | 36 | 2242 | 46 | 1 | 60 | 100 |
| | 3/4 | 2243 | 49 | 2244 | 59 | 2 | 29 | 52 |
| Lug Mount Trolleys | | | | | | | | |
| Standard Models | | | | | | | | |
| Link Chain | 1/4 | 2251 | 36 | 2252 | 46 | 1 | 65 | 95 |
| | 1/2 | 2255 | 36 | 2256 | 46 | 1 | 45 | 120 |
| | 1 | 2259 | 49 | 2260 | 59 | 2 | 23 | 60 |
| Spark Resistant Models | | | | | | | | |
| Link Chain | 3/8 | 2281 | 36 | 2282 | 46 | 1 | 60 | 100 |
| | 3/4 | 2283 | 49 | 2284 | 59 | 2 | 29 | 52 |



1/4 and 1/2 ton

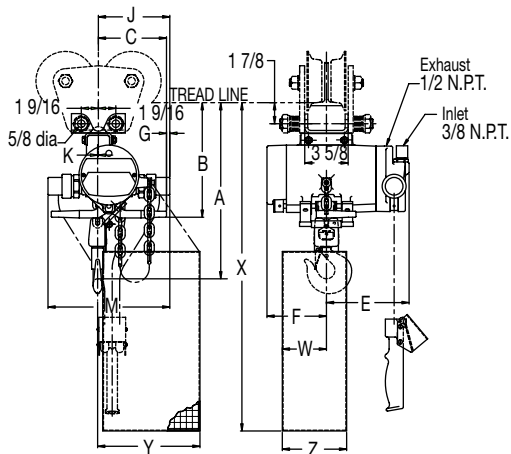


1 ton

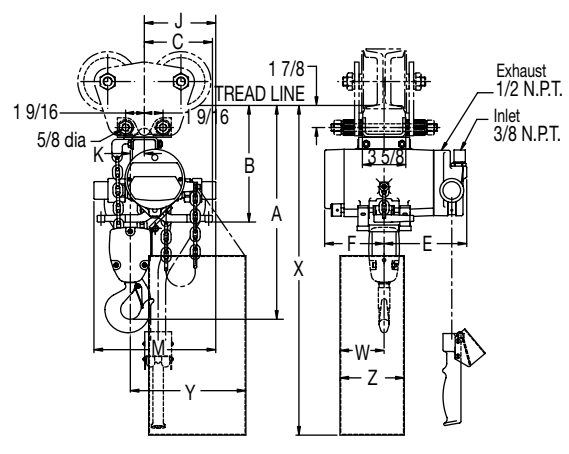
Hook Suspension Specifications & Dimensions

| Type | Capacity | Pull Cord Control Model # | Pendant Throttle Control Model # | A | B | C | E | F | J | M | W | X | Y | Z | |
|-------------------------------|----------|---------------------------|----------------------------------|--------|--------|-------|--------|--------|---------|---------|-------|--------|---------|-------|--|
| tons | tons | | | in | in | in | in | in | in | in | in | in | in | in | |
| Standard Models | | | | | | | | | | | | | | | |
| Roller Chain | 1/4 | 2201 | 2202 | 15-1/4 | 10-1/4 | 4-3/4 | 7-1/16 | 5-1/16 | 6-15/16 | 10-3/16 | 3-5/8 | 30-1/8 | 8-9/16 | 5-1/4 | |
| | 1/2 | 2203 | 2204 | 15-1/4 | 10-1/4 | 4-3/4 | 7-1/16 | 5-1/16 | 6-15/16 | 10-3/16 | 3-5/8 | 30-1/8 | 8-9/16 | 5-1/4 | |
| | 1 | 2205 | 2206 | 18 | 10-1/4 | 5-3/4 | 7-1/16 | 5-1/16 | 6-15/16 | 10-3/16 | 3-5/8 | 30-1/8 | 9-11/16 | 5-1/4 | |
| Link Chain | 1/4 | 2211 | 2212 | 15-1/4 | 10-1/4 | 4-3/4 | 7-1/16 | 5-1/16 | 6-15/16 | 10-3/16 | 3-5/8 | 30-1/8 | 8-9/16 | 5-1/4 | |
| | 1/2 | 2215 | 2216 | 15-1/4 | 10-1/4 | 4-3/4 | 7-1/16 | 5-1/16 | 6-15/16 | 10-3/16 | 3-5/8 | 30-1/8 | 8-9/16 | 5-1/4 | |
| | 1 | 2219 | 2220 | 18 | 10-1/4 | 5-3/4 | 7-1/16 | 5-1/16 | 6-15/16 | 10-3/16 | 3-5/8 | 30-1/8 | 9-11/16 | 5-1/4 | |
| Spark Resistant Models | | | | | | | | | | | | | | | |
| Link Chain | 3/8 | 2241 | 2242 | 15-1/4 | 10-1/4 | 4-3/4 | 7-1/16 | 5-1/16 | 6-15/16 | 10-3/16 | * | * | * | * | |
| | 3/4 | 2243 | 2244 | 18 | 10-1/4 | 5-3/4 | 7-1/16 | 5-1/16 | 6-15/16 | 10-3/16 | * | * | * | * | |

* Spark resistant chain container dimensions can be found in the Air Hoist Accessories section of this brochure



1/4 and 1/2 ton



1 ton

Lug Suspension Specifications & Dimensions

| Type | Capacity | Pull Cord Control Model # | Pendant Throttle Control Model # | A | B | C | E | F | G | J | K | M | W | X | Y | Z |
|-------------------------------|----------|---------------------------|----------------------------------|--------|-------|-------|--------|--------|-------|----|--------|---------|-------|--------|---------|-------|
| tons | tons | | | in | in | in | in | in | in | in | in | in | in | in | in | in |
| Standard Models | | | | | | | | | | | | | | | | |
| Link Chain | 1/4 | 2251 | 2252 | 13-7/8 | 9-5/8 | 4-3/4 | 7-1/16 | 5-1/16 | 1-1/4 | 6 | 1/16 | 10-3/16 | 3-5/8 | 29-1/4 | 8-9/16 | 5-1/4 |
| | 1/2 | 2255 | 2256 | 13-7/8 | 9-5/8 | 4-3/4 | 7-1/16 | 5-1/16 | 1-1/4 | 6 | 1/16 | 10-3/16 | 3-5/8 | 29-1/4 | 8-9/16 | 5-1/4 |
| | 1 | 2259 | 2260 | 17 | 9-3/4 | 5-3/4 | 7-1/16 | 5-1/16 | 1/4 | 6 | 1-3/16 | 10-3/16 | 3-5/8 | 29-1/4 | 9-11/16 | 5-1/4 |
| Spark Resistant Models | | | | | | | | | | | | | | | | |
| Link Chain | 3/8 | 2281 | 2282 | 13-7/8 | 9-5/8 | 4-3/4 | 7-1/16 | 5-1/16 | 1-1/4 | 6 | 1/16 | 10-3/16 | * | * | * | * |
| | 3/4 | 2283 | 2284 | 17 | 9-3/4 | 5-3/4 | 7-1/16 | 5-1/16 | 1/4 | 6 | 1-3/16 | 10-3/16 | * | * | * | * |

* Spark resistant chain container dimensions can be found in the Air Hoist Accessories section of this brochure



Rated loads: 1/4, 1/2, 1, 3, and 6 Tons

The Yale ACL air chain hoist is light and portable enough to be carried (the 1/2 ton unit weighs only 37 lbs.). This makes it ideally suited for maintenance type operations because it is easily moved from one job to another—one hoist can do the work of several.

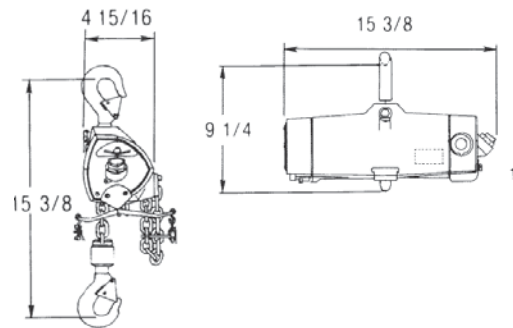
Optional Chain Containers

Optional Yale ACL chain containers are made of tough reinforced PVC sheeting for long life. The containers are available for a variety of chain lengths.

| Capacity | Lift | Part # |
|-----------|---|-----------|
| tons | ft | in |
| 1/4 & 1/2 | 10 ft. lift | 645022174 |
| 1/4 & 1/2 | 23 ft. lift | 645022175 |
| 1/4 & 1/2 | 40 ft. lift | 645022176 |
| 1/4 & 1/2 | 60 ft. lift | 645022177 |
| 1 | 11 ¹ / ₂ ft. lift | 645022175 |
| 1 | 20 ft. lift | 645022176 |
| 1 | 30 ft. lift | 645022177 |
| 3 | 20 ft. lift | 645970300 |
| 3 | 39 ft. lift | 636241200 |
| 6 | 10 ft. lift | 645970300 |
| 6 | 19 ft. lift | 646352300 |

Basic Hoist Features

- Capacities – 1/4 to 6 tons.
- Lightweight and portable.
- Economical.
- Compact dimensions.
- Disc type motor brake.
- Efficient planetary gearing.
- Choose from – standard pull cord or optional twist rod or lever pendant controls.
- Lifetime lubricated gears.
- Variable speed control.
- Axially located rotary vane type motor.
- Twin high ratio planetary gear assembly.

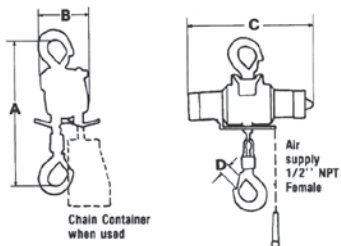


- Top and bottom hooks are drop forged with safety latches.
- A convenient pull control is standard.
- An optional lever pendant control is available for the Yale ACL and offers excellent control for load inching. Pendants are available in lengths of 6.6 feet, 12 feet, 17 feet, 23 feet, and 32 feet.

Basic Hoist Data

- **Air Pressure Recommended:** 90 PSI
- **Lift:** 10 foot lifts are standard
- **Trolley Dimensions:** All given for min. I-beam
- **Pull Cord Drop:** 7 foot drop is standard

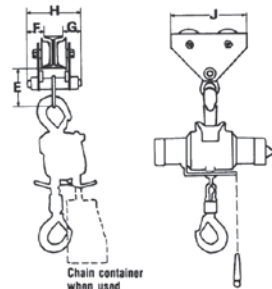
ACL HOOK TYPE



Outline Dimensions (in)

| Capacity | Model # | Lifting Speed | A | B | C | D | Net Wt. | Ship Wt. |
|----------|---------|--------------------------------|----------------------------------|---------------------------------|--------------------------------|--------------------------------|---------|----------|
| tons | | fpm | | | | | lbs. | lbs. |
| 1/4 | ACL1/4 | 61 | 14 ¹³ / ₁₆ | 4 ¹⁵ / ₁₆ | 15 ³ / ₈ | 1 ³ / ₁₆ | 37 | 42 |
| 1/2 | ACL1/2 | 41 | 14 ¹³ / ₁₆ | 4 ¹⁵ / ₁₆ | 15 ³ / ₈ | 1 ³ / ₁₆ | 37 | 42 |
| 1 | ACL1 | 21 ¹ / ₂ | 17 ¹ / ₂ | 4 ⁵ / ₈ | 15 ³ / ₈ | 1 ³ / ₁₆ | 46 | 51 |
| 3 | ACL3 | 10 ¹ / ₂ | 22 ⁵ / ₈ | 8 ⁵ / ₁₆ | 21 ¹ / ₂ | 2 | 109 | 119 |
| 6 | ACL6 | 5 ¹ / ₄ | 30 ⁷ / ₈ | 9 ¹³ / ₁₆ | 21 ¹ / ₂ | 2 ⁷ / ₁₆ | 175 | 185 |

ACL WITH PLAIN TROLLEY*



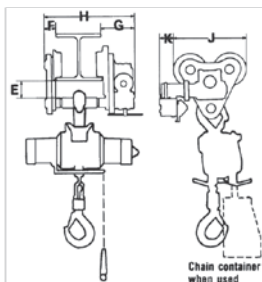
Outline Dimensions (in)

| Capacity | E | F | G | H | J | Fits Flange Width | Min. Rad. Curve | Net Wt. | Ship Wt. | |
|-----------|---------------------------------|-------------------------------|-------------------------------|---------------------------------|--------------------------------|-------------------|-----------------|---------|----------|-------|
| tons | | | | | | Min. | Max. | Min. | lbs.+ | lbs.+ |
| 1/4 & 1/2 | 4 ³ / ₁₆ | 3 ¹ / ₄ | 3 ¹ / ₄ | 9 ¹ / ₄ | 9 ³ / ₄ | 2.66 | 5.00 | 21 | 18 | 20 |
| 1 | 4 ⁹ / ₁₆ | 3 ¹ / ₂ | 3 ¹ / ₂ | 10 | 11 ³ / ₄ | 3.00 | 5.25 | 30 | 25 | 28 |
| 3 | 6 ¹⁵ / ₁₆ | 4 ¹ / ₄ | 4 ¹ / ₄ | 12 | 13 ¹ / ₂ | 3.33 | 6.00 | 36 | 60 | 64 |
| 6 | 9 ¹ / ₈ | 4 ¹ / ₂ | 4 ¹ / ₂ | 13 ¹ / ₁₆ | 19 ¹ / ₂ | 4.00 | 7.00 | 60 | 140 | 145 |

† Trolley only.

* 1/4 through 3 ton shown with Yale FWA trolley. 6 ton shown with Yale FTP trolley. Many other fine Yale trolleys are available.

3 & 6 TON ACL WITH ACT MOTORIZED TROLLEY



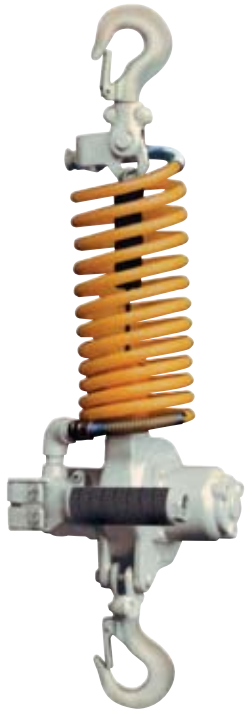
Outline Dimensions (in)

| Capacity | E | F | G | H | J | K | Fits Flange Width | Rad. Curve | Net Wt. | Ship Wt. | |
|----------|-------------------------------|-------------------------------|--------------------------------|---------------------------------|----------------------------------|-------------------------------|-------------------|------------|---------|----------|-------|
| tons | | | | | | | Min. | Max. | Min. | lbs.+ | lbs.+ |
| 3 | 3 ¹ / ₄ | 1 ¹ / ₂ | 6 ⁵ / ₁₆ | 13 | 12 ¹⁵ / ₁₆ | 5 | 5.20 | 10.30 | 55 | 91 | 99 |
| 6 | 4 ⁵ / ₈ | 1 ⁵ / ₈ | 7 ¹ / ₈ | 14 ⁷ / ₁₆ | 16 ⁵ / ₈ | 3 ¹ / ₈ | 5.70 | 10.30 | 70 | 201 | 212 |

† Trolley only.

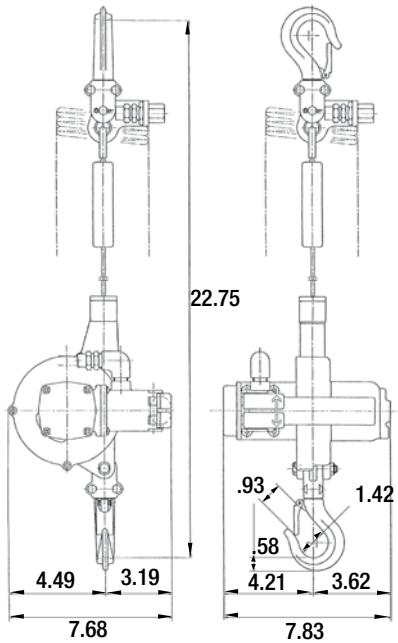
NOTE: Motorized trolley speed at full rated load is 60 fpm at 90 psi and 89 cfm.

TMM -140 Air Manipulator Hoist



The TMM-140 is an ideal workstation hoist. Lightweight and portable, the unit weighs less than 20 pounds and operates at 100% duty cycle.

- Capacity: Rated loads 300 lbs./140 kg.
- Efficient rotary vane motor provides high uniform torque for quick response and smooth, quiet operation.
- Handle-mounted pendant control for one-handed operation and load positioning.
- Precise and infinite speed control for accurate load spotting.
- Self-winding lifting cable stores conveniently inside unit.
- Swivel top and bottom hooks with safety latches standard, for portability and quick installation.
- Secures load and eliminates drift when pendant is released.
- A 3/8" NPT air filter-regulator-lubricator is needed for effective operation. Spark resistant features are not available.
- Lifetime Warranty
- Ideal Applications
 - Assembly Lines
 - Machine Shops
 - Cleaning and/or Dipping Operations
 - Manufacturing Plants
 - Power Generating Stations
 - Shipping Departments
 - Chemical Facilities
 - Fabricating Shops
 - Repetitive Lifting Applications
 - Auto/Truck Repair
 - Handling Fixtures and Dies



Note: Dimensions are in inches.

Specifications & Dimensions

| Capacity | Model # | Standard Lift | Lift Speed w/ load | | Lift Speed w/o load | | Air Consump. | Headroom | Housing Dimensions | | | Max Air Pressure | Net Weight |
|----------|---------|---------------|--------------------|------|---------------------|------|--------------|----------|--------------------|-------|--------|------------------|------------|
| | | | Up | Down | Up | Down | | | D | W | L | | |
| lbs. | | ft. | FPM | | | | CFM | in | in. | | | psi | lbs. |
| 300 | TMM-140 | 6' 6" | 36 | 59 | 49 | 39 | 21.2 | 22-3/4 | 7-2/3 | 7-7/8 | 23-3/4 | 70-95 | 18.7 |



Continuous Duty Service

Yale XL Model - 2 to 7 1/2 Tons

Air Chain Hoists features continuous duty service for precise, infinitely variable speed and accurate load spotting. Ideal for use in hazardous areas where electricity is not an option.

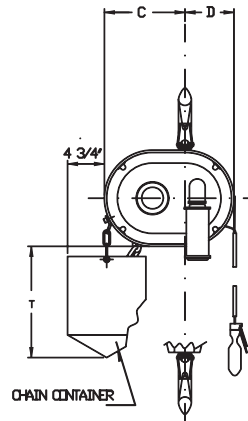
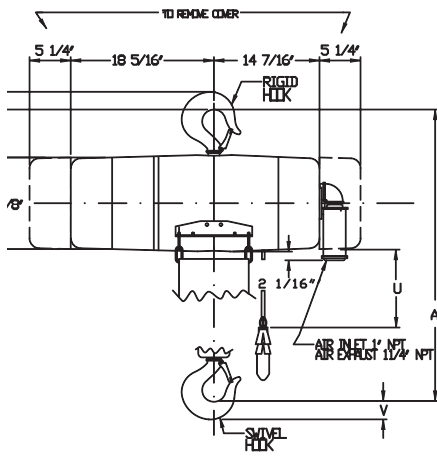
- Capacities & Lift - Rated loads from 2 to 7 1/2 Tons. 10-foot lifts are standard. Longer lifts are available.
- Speeds - 9 to 31 feet per minute (FPM) at 90 PSI air operating pressure.
- Controls - Pendant controls provide precise load spotting.
- Hook and lug suspension available. Lug suspension is for use with plain, geared and air motor drive trolleys.
- Motor - 6-vane air motor produces high, uniform torque for smooth, easy lifting.
- Spool Valve - Precision spool valves meter air for smooth starts.
- Brake - Air actuated motor brake for positive load control.
- Transmission Gears - Precision machined steel run in oil bath for longer quieter operation.
- Forged Ten-pocket Oblique-lay Liftwheel - For smooth chain operation, constant chain speed, and reduced chain wear.
- Overload Clutch - Protects hoist, operator, and supporting structures from damaging overloads. Clutch acts as upper and lower travel limits.
- Spark Resistant Models - For hazardous environments, includes copper plated hooks and lower bottom blocks, stainless steel hook latch, and plated load chain.
- Lifetime Warranty

Specifications & Dimensions

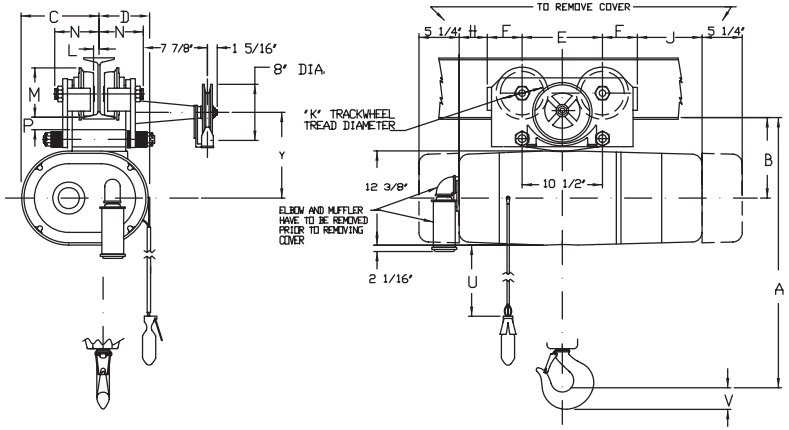
| Capacity † | | Model # | # of Chains | Lift Speed* FPM | Air Pressure PSI | Wt. lbs. |
|------------|------------------|------------|-------------|--------------------|---------------------|-------------|
| lbs. | tons | | | | | |
| 4,400 | 2 | YAXL0231 | 1 | 31 | 90 | 347 |
| 6,600 | 3 | YAXL0321 | 2 | 21 | 90 | 421 |
| 11,000 | 5 | YAXL0513 | 2 | 13 | 90 | 421 |
| 13,200 | 6 | YAXL0610 | 3 | 10 | 90 | 453 |
| 16,500 | 7 ^{1/2} | YAXL07.509 | 3 | 9 | 90 | 453 |

† Metric Rated
* Speeds based on 90 PSI line pressure and with full rated load.

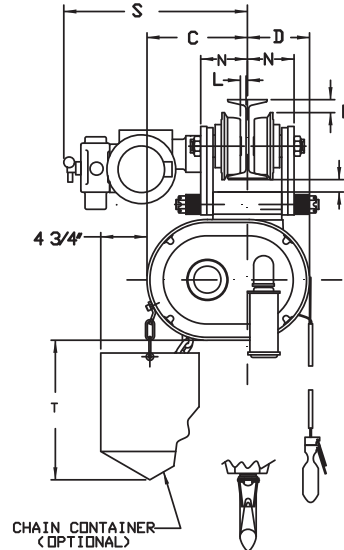
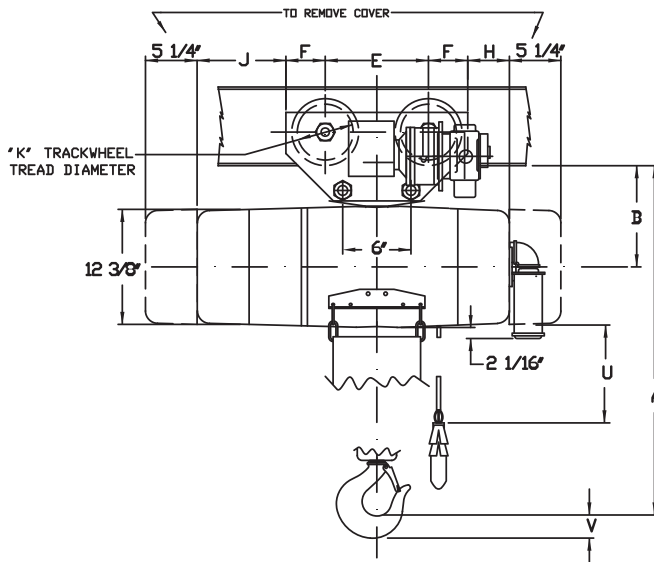
XL AIR WITH HOOK SUSPENSION



XL AIR WITH HAND GEARED TROLLEY



XL AIR WITH AIR MOTOR DIVEN TROLLEY



Specifications & Dimensions

| Capacity | Hoist Catalog # | A** | B | C | D | E | F | H | J | K | L | M | N | P | S | T*** | U*** | V | Y**** |
|----------|-----------------|----------|----------|--------|-------|-------|---------|---------|----------|---------|-----|---------|-------|-------|---------|---------|-------|-------|---------|
| tons | | in | in | in | in | in | in | in | in | in | in | in | in | in | in | in | in | in | in |
| 2 | YAXL0231 | 28 11/16 | 9 3/4 | 8 7/16 | 8 | 9 1/2 | 3 1/2 | 5 1/4 | 10 11/16 | 4 11/16 | 1/2 | 1/2 | 5 | 1 1/4 | 15 9/16 | 14 3/16 | 6'-3" | 1 1/2 | 11 5/16 |
| 3 | YAXL0321 | 35 5/16 | 10 7/16 | 11 3/8 | 5 1/2 | 9 1/8 | 3 1/4 | 5 11/16 | 10 1/2 | 4 | 5/8 | 2 11/16 | 3 5/8 | 3/8 | 15 9/16 | 14 3/16 | 6'-3" | 2 1/4 | 12 7/8 |
| 5 | YAXL0513 | 35 5/16 | 10 11/16 | 11 3/8 | 5 1/2 | 12 | 4 13/16 | 2 11/16 | 7 1/2 | 6 1/2 | 5/8 | 7 1/4 | 6 1/4 | 11/16 | 15 9/16 | 14 3/16 | 6'-3" | 2 1/4 | 11 1/8 |
| 6 | YAXL0610 | 36 3/16 | 10 11/16 | 11 3/8 | 5 1/2 | 12 | 4 13/16 | 2 11/16 | 7 1/2 | 6 1/2 | 5/8 | 7 1/4 | 6 1/4 | 11/16 | 15 9/16 | 14 3/16 | 6'-3" | 2 1/4 | 11 1/8 |
| 7 1/2* | YAXL07.509 | 36 3/16 | 10 11/16 | 11 3/8 | 5 1/2 | 12 | 4 13/16 | 2 11/16 | 7 1/2 | 6 1/2 | 5/8 | 7 1/4 | 6 1/4 | 11/16 | 15 9/16 | 14 3/16 | 6'-3" | 2 1/4 | 11 1/8 |

*Hook mount not available on 7^{1/2} ton capacity.

** 'A' dimension represents largest dimension between hook and lug suspension. Consult factory for exact dimensions.

*** Dimension based on 10' lift.

**** Geared trolley dimension only.

Standard beam flange adjustable range - 2-Ton (3.33" - 5.55"); 3 - 7^{1/2} Ton (4.00" - 6.25").

Minimum radius curve - 2 & 3 Ton (4 ft.); 4-7^{1/2} Ton (6 ft.).

Dimensions listed are for minimum size 'S' beams.



FILTER-LUBRICATOR UNIT

Air hoists must have a supply of clean, lubricated air for their operation. A filter and lubricator must be installed in the air supply line, as close as practical to the hoist. The recommended operating air pressure for all capacities of YALE® air hoists is 90 psi. When air line pressure exceeds 115 psi, it is required that a pressure regulator be provided in the supply line to maintain proper pressure.



Filter - Lubricator Units

| Catalog # | Inlet / Outlet Size | Bowl Size. | Shipping Weight |
|-----------|---------------------|------------|-----------------|
| | in | oz. | lbs. |
| 902960 | 3/8 | 11 | 8 |
| 902961 | 1/2 | 11 | 8 |
| 902962 | 3/4 | 24 | 12 |
| 902963 | 1 | 24 | 12 |

Filter - Regulator - Lubricator Units

| Catalog # | Inlet / Outlet Size | Bowl Size. | Shipping Weight |
|-----------|---------------------|------------|-----------------|
| | in | oz. | lbs. |
| 902966 | 3/8 | 11 | 14 |
| 902967 | 1/2 | 11 | 14 |
| 902968 | 3/4 | 24 | 18 |
| 902969 | 1 | 24 | 18 |



BULLARD HOOKS

All hoists are furnished as standard with hooks equipped with hook latches. Bullard Hooks with rugged cast swing gate locking member that provides greater assurance of load containment are available at additional cost. Spark resistant Bullard Hooks are not available.



REDUNDANT SUPPORT

Hoist suspension redundant support for Series 2200 hoist is available for additional cost. This redundant support features a cable that inserts through the hoist frame and around the initial support.



PENDANT THROTTLE CONVERSION KIT

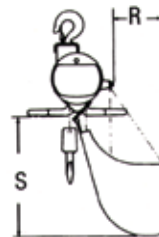
Kits for converting the pull cord Model YAL Air Hoist to pendant throttle operation has standard 6-foot pendant hose assembly. Longer hose assemblies available. Order Catalog No. 2269. Shipping weight is 8 pounds.

CHAIN CONTAINERS

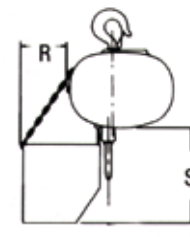
Chain containers provide an ideal means for eliminating hanging tail chains. They are easily installed and accept the chain in such a way that chains tend not to kink or twist. State codes are more frequently calling for use of chain container with each hoist.

Chain Container for YAL Air Hoist

| Catalog # | Chain Type | Maximum Lift | | Shipping Weight | Dimension | |
|-----------|-----------------|-------------------|------------|-----------------|-----------|--------|
| | | 1/4, 3/8, 1/2 Ton | 3/4, 1 Ton | | R | S |
| | | ft | ft | lbs. | in | in |
| 902631 | Link Chain | 25 | 12 | 4-1/2 | 4-1/2 | 12 |
| 902635 | Link Chain | 45 | 22 | 9 | 4-1/2 | 17 |
| 902634 | Spark Resistant | 25 | 12 | 5 | 4-1/2 | 12 |
| 902636 | Spark Resistant | 45 | 22 | 10 | 4-1/2 | 7 |
| 902632 | Roller Chain | 15 | - | 6-1/2 | 9 | 17-1/2 |
| 902633 | Roller Chain | 30 | 15 | 11 | 12-1/2 | 22-1/4 |



YAL



KALC

Chain Container for Standard KALC Air Hoist

| Catalog # | Maximum Lift | | | Shipping Weight | Dimension | |
|-----------|--------------|------------|------------|-----------------|-----------|----|
| | 1 Ton | 2 Ton | 3 Ton | | R | S |
| | ft | ft | ft | lbs. | in | in |
| 905434 | 15 | do not use | do not use | 4 | 4-1/2 | 10 |
| 905435 | 30 | 15 | 10 | 8 | 4-1/2 | 15 |
| 905436 | 45 | 22 | 15 | 10 | 4-1/2 | 19 |
| 905437 | 60 | 30 | 20 | 14 | 4-1/2 | 23 |
| 905438 | 75 | 37 | 25 | 15 | 4-1/2 | 28 |
| 905439 | 90 | 45 | 30 | 16 | 4-1/2 | 33 |

Chain Container for Spark Resistant KALC Air Hoist

| Catalog # | Maximum Lift | | | Shipping Weight | Dimension | |
|-----------|--------------|------------|------------|-----------------|-----------|----|
| | 1/2 Ton | 1 Ton | 2 Ton | | R | S |
| | ft | ft | ft | lbs. | in | in |
| 905444 | 15 | do not use | do not use | 4 | 4-1/2 | 10 |
| 905445 | 30 | 15 | 10 | 8 | 4-1/2 | 15 |
| 905446 | 45 | 22 | 15 | 10 | 4-1/2 | 19 |
| 905447 | 60 | 30 | 20 | 14 | 4-1/2 | 23 |
| 905448 | 75 | 37 | 25 | 15 | 4-1/2 | 28 |
| 905449 | 90 | 45 | 30 | 16 | 4-1/2 | 33 |

AIR HOSE ASSEMBLY

Assembly requires Catalog Number for both hose and fittings.

Air Supply Hose

| Catalog # | ID | OD | Braid | Max. PSI | Width |
|-----------|-----|-------|-------|----------|-------|
| | in | in | | | ft |
| 901610 | 1/2 | 15/16 | 1 | 200 | 0.33 |
| 901611 | 3/4 | 1-1/4 | 2 | 225 | 0.52 |
| 901612 | 1 | 1-1/2 | 3 | 200 | 0.65 |

Fittings*

Male Swivel at One End - Standard Male at Opposite End

| Catalog # | Hose ID | Thread Size M-NPT |
|-----------|---------|-------------------|
| | in | in |
| 901614 | 1/2 | 3/8 |
| 901615 | 3/4 | 3/4 |
| 901616 | 1 | 3/4 |

* Fitting installed on above hose.

Fittings with Quick Disconnect*

Quick Disconnect on One End - Standard Male at Opposite End

| Catalog # | Hose ID | Thread Size M-NPT |
|-----------|---------|-------------------|
| | in | in |
| 901618 | 1/2 | 3/8 |
| 901619** | 3/4 | 3/4 |
| 901620** | 1 | 3/4 |

* Fitting installed on above hose.
** 3/4 NPT Quick disconnect is without check valve.



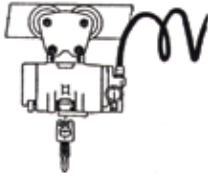
AIR HOSE TROLLEYS CATALOG NO. 254

(For use with YAL and KALC Air Hoists)

These trolleys are used to support air hose and are installed on the same track as a hoist. The hose clamp swivels and fits 5/8 to 1-1/2 inch diameter hoses. Shipped from factory in cartons of six only.

RECOIL AIR HOSE WITH FITTING

For application where air hose trolleys with looped hose is impractical; coil type self-storing hose is recommended.



Self Storing Air Hose with Fittings

| Catalog # | Hose Size x Working Length | Fitting Each End |
|-----------|----------------------------|-------------------------------|
| | I.D. in x ft | |
| 901621 | 1/2 x 15 | 3/8 NPTF Male Swivel Fittings |
| 901622 | 1/2 x 25 | |
| 901624 | 3/4 x 15 | 3/4 NPTF Male Swivel Fittings |
| 901625 | 3/4 x 25 | |
| 901626 | 3/4 x 50 | |

Nylon Coated Cable with Eyebolt Fittings Each End for Supporting Recoil Air Hose (Supports by Others)

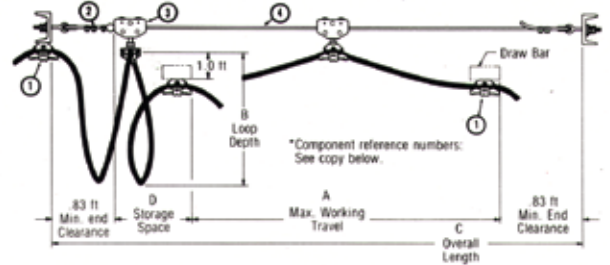
| Catalog # | Length |
|-----------|--------|
| | ft |
| 901629 | 25 |
| 901630 | 50 |

WIRE ROPES FESTOON SYSTEMS FOR AIR SUPPLY HOSE

System includes (note numerical key in illustration at right): (1) 2 end clamp assemblies; (2) 1 hardware kit consisting of 2 eye-bolts, 5 clamps and 1 ball stop; (3) Intermediate carriers - see specified quantity in last column of chart below; (4) Nylon covered wire rope per required length.

Hose System (from 0.91" to 1.25" O.D.)

| Catalog # | A | B | C | D | Maximum Combine Cable Wt. | Clamp Distance | No. of Carriers (item 3) |
|-----------|----|----|------|------|---------------------------|----------------|--------------------------|
| | ft | ft | ft | ft | lbs. / ft | ft | |
| 901601 | 16 | 3 | 18.5 | 0.84 | 1.31 | 6.87 | 2 |
| | 21 | 4 | 23.5 | 0.84 | 1.01 | 8.87 | 2 |
| 901602 | 28 | 3 | 31.1 | 1.40 | 1.31 | 6.87 | 4 |
| | 37 | 4 | 40.1 | 1.40 | 1.01 | 8.87 | 4 |
| 901603 | 40 | 3 | 43.6 | 1.97 | 1.31 | 6.87 | 6 |
| | 52 | 4 | 55.6 | 1.97 | 1.01 | 8.87 | 6 |



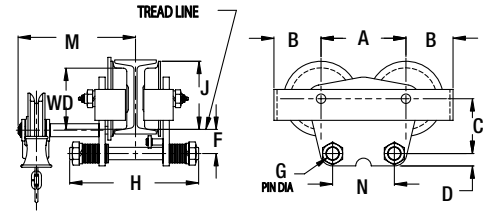
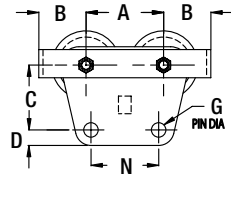
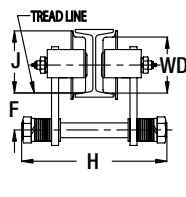
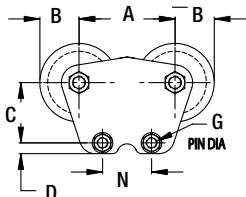
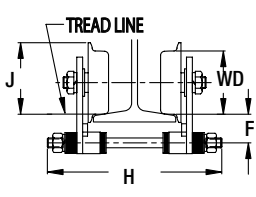
NOTE:

Festooning hose and connectors are not included in the system.



- Designed especially for use with lug suspended KELC, KALC and YAL Models.
- Ideal for low head room applications where distance from floor to I-beam is limited.
- Trolley side plates are of all-steel construction providing maximum strength.
- Wheels have hardened dual treads ensuring long life and operate on ball bearings for easy travel. Pressure fittings are provided in wheel axles to simplify lubrication.
- Dual treads allow trolley to run on both I-beam and wide flange type beam applications. Optional patent type wheels available for patent track systems.
- Hand-gearred models, the hand chain operated wheel turns a pinion which meshes with steel gears for ease of operation and accurate spotting. Chain guide provided to ensure chain alignment with wheel.
- Anti-tilt rollers are provided on hand-gearred trolleys to eliminate the tilting of trolley on beam when operating with a light load or without a load.
- Optional drop stops and bumpers available.
- Spark resistant models available, heavy-duty rigid mount trolleys.

Rigid Mount Trolleys

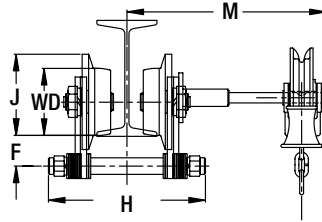
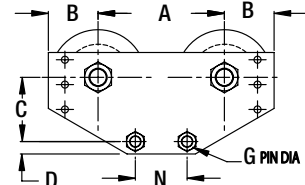
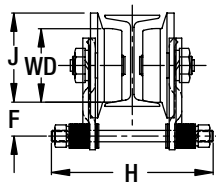


Push Trolley 1/4, 1/2 & 1 ton

Push Trolley 2 & 3 ton

**Hand-Gearred Trolley
1/2, 1, 2 & 3 ton**

Heavy Duty Rigid Mount Trolleys



Specifications & Dimensions

| Capacity | Push Trolley | | Hand Geared* | | Flange widths | Min. Beam Depth** | Min. Radius Curve | A | B | C | D | WD | F Max.† | G Dia. | H | J Max. | M Max. | N |
|--|--------------|------------|--------------|------------|-----------------------------|-------------------|-------------------|-------|---------|--------|--------|---------|---------|--------|--------|---------|----------|-------|
| | Model # | Net Weight | Model # | Net Weight | | | | | | | | | | | | | | |
| tons | | lbs. | | lbs. | in | in | in | in | in | in | in | in | in | in | in | in | in | in |
| Rigid Mount Trolleys | | | | | | | | | | | | | | | | | | |
| 1/2 | 905401 | 15 | - | - | 2-5/8 to 4-5/8 [§] | 4 | 2' 6" | 4-3/8 | 2-5/8 | 3-3/16 | 11/16 | 3-1/8 | 1-5/8 | 5/8 | 8-1/8 | 3-11/16 | - | 3-1/8 |
| 1 | 905402 | 23 | - | - | 3 to 5 | 5 | 3' 6" | 6-1/8 | 2-9/16 | 3-7/8 | 11/16 | 4 | 1-7/8 | 5/8 | 8-7/8 | 5 | - | 3-1/8 |
| | 905405 | 24 | - | - | 5-1/4 to 7-3/8 | | | | | | | | | | 11-1/8 | | - | |
| | - | - | 905411 | 40 | 3 to 5 | | | | | | | | | | 8-7/8 | | 9-3/4 | |
| | - | - | 905413 | 41 | 5-1/4 to 7-3/8 | | | | | | | | | | 11-1/8 | | 11-1/8 | |
| 2 | 905403 | 43 | 905412 | 57 | 3-3/8 to 6 | 6 | 5' 0" | 6-7/8 | 3-13/16 | 4-7/16 | 1 | 4-15/16 | 2 | 1 | 10-1/8 | 5-13/16 | 10-1/4 | 5 |
| | 905406 | 44 | 905414 | 58 | 6-1/4 to 8-7/8 | | | | | | | | | | 13 | | 11-7/8 | |
| 3 | 905404 | 50 | 905417 | 65 | 3-3/8 to 6 | 6 | 5' 0" | 6-7/8 | 4-3/16 | 5-3/4 | 1-3/8 | 4-15/16 | 3-1/4 | 1-1/4 | 12-3/4 | 5-13/16 | 18-3/8 | 6 |
| | 905407 | 52 | 905418 | 67 | 6-1/8 to 8-7/8 | | | | | | | | | | 15-3/4 | | 19-7/8 | |
| | 905408 | 54 | 905419 | 69 | 9 to 11 | | | | | | | | | | 17-7/8 | | 21-1/8 | |
| Heavy Duty Rigid Mount Trolleys | | | | | | | | | | | | | | | | | | |
| 1 | 900211 | 35 | 900261 | 50 | 3 to 5 | 6 | 3' 0" | 7-5/8 | 3 | 3-7/8 | 3/4 | 4 | 1-7/8 | 5/8 | 8-7/8 | 4-7/8 | 10-9/16 | 3-1/8 |
| | 900212 | 38 | 900262 | 53 | 5-1/8 to 7-1/4 | | | | | | | | | | 11-1/4 | | 11-11/16 | |
| | 900213 | 41 | 900263 | 56 | 7-1/2 to 9-1/8 | | | | | | | | | | 12-3/4 | | 12-5/8 | |
| 2 | 900221 | 45 | 900271 | 60 | 3-3/8 to 6 | 6 | 5' 0" | 9-1/8 | 3 | 4-1/8 | 1-5/16 | 4 | 2-1/8 | 1 | 9-1/2 | 4-7/8 | 10-1/16 | 5 |
| | 900222 | 48 | 900272 | 63 | 6-1/4 to 8-5/8 | | | | | | | | | | 12-1/8 | | 11-3/8 | |
| | 900223 | 51 | 900273 | 66 | 8-7/8 to 11-1/4 | | | | | | | | | | 14-3/4 | | 12-11/16 | |
| 3 | 900231 | 55 | 900281 | 70 | 4 to 6-1/4 | 6 | 5' 0" | 9-1/8 | 3-1/4 | 4-1/2 | 1-3/8 | 4 | 2-1/2 | 1-1/4 | 12 | 4-7/8 | 16-1/2 | 6 |
| | 900232 | 58 | 900282 | 73 | 6-3/8 to 8-5/8 | | | | | | | | | | 14-3/8 | | 17-11/16 | |
| | 900233 | 62 | 900283 | 77 | 8-3/4 to 11 | | | | | | | | | | 16-3/4 | | 18-7/8 | |

* Hand-gearred trolleys have standard hand chain drop of 9'-6". Longer chain available.

** When used on smallest I-Beam size, beam must be free of all obstructions such as clips, suspension bolts and nuts.

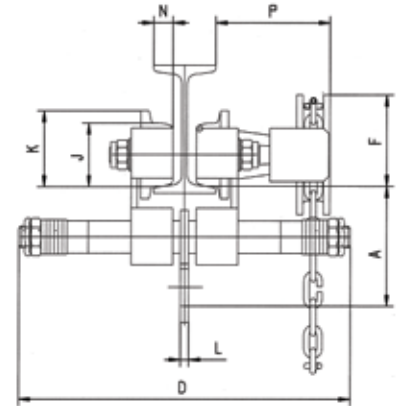
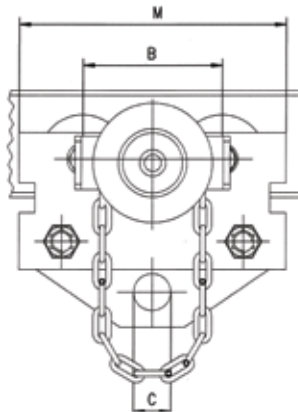
§ For 1/4 and 1/2 ton applications on wider flange beams, mount on 1 ton trolleys.

¥ Dimension "F" is based on largest size beam on which trolley will operate. Dimension increases slightly for each of the smaller beam sizes.

Hook Suspension Trolleys



- Capacities from 1/4 to 5 ton (metric rated).
- Trolley sides are of all-steel construction for maximum strength.
- Wheels are steel with hardened treads and roller bearings for easy traversing and long life.
- Self-aligning frames keep the load equally distributed, and are adjustable to fit several sizes of beams.
- Wrap-around side plates provide additional security to increase operator safety and act as a bumper to protect wheels.
- Push trolleys are an economical alternative for low duty cycle, lighter capacity applications with lifts under 20 feet.
- Hand geared trolleys are designed for applications requiring close control of horizontal movement of the hoist and its load.
- Hand geared trolleys are ideal for those applications where an operator shouldn't be near or touch the load to move or position it.



Specifications & Dimensions

| Capacity* | Model # ** | Standard Beam Height | I-Beam Width | Min. Radius Curve | Wheel Tread Diameter | | | | | | | | (CBTG) | | (CBTG) | | Net Weight | |
|---------------------|--------------|----------------------|--------------|-------------------|----------------------|------|------|------|-------|------|------|------|--------|------|--------|------|------------|-----|
| | | | | | | A | B | C | D | F | J | K | K | L | M | N | | P |
| tons | | in | in | in | in | in | in | in | in | in | in | in | in | in | in | in | in | in |
| Push Trolley | | | | | | | | | | | | | | | | | | |
| 1/4 | CBTP-0025 | 4 to 24 | 2.0 to 8.7 | 27 | 2.36 | 3.94 | 3.54 | 1.18 | 11.81 | - | 2.36 | 2.83 | - | 0.31 | 7.56 | 0.71 | - | 19 |
| 1/2 | CBTP-0050 | 4 to 24 | 2.0 to 8.7 | 27 | 2.36 | 3.94 | 3.54 | 1.18 | 11.81 | - | 2.36 | 2.83 | - | 0.31 | 7.56 | 0.71 | - | 19 |
| 1 | CBTP(G)-0100 | 5 to 24 | 2.3 to 8.7 | 36 | 2.36 | 4.33 | 5.12 | 1.38 | 12.20 | 3.60 | 2.36 | 2.83 | 3.03 | 0.31 | 9.84 | 0.71 | 4.33 | 26 |
| 1-1/2 | CBTP(G)-0150 | 6 to 24 | 2.3 to 8.7 | 45 | 3.15 | 5.12 | 5.91 | 1.89 | 12.60 | 3.56 | 3.15 | 3.78 | 3.86 | 0.47 | 11.81 | 0.79 | 4.33 | 46 |
| 2 | CBTP(G)-0200 | 6 to 24 | 2.3 to 8.7 | 45 | 3.15 | 5.12 | 5.91 | 1.89 | 12.60 | 3.56 | 3.15 | 3.78 | 3.86 | 0.47 | 11.81 | 0.79 | 4.33 | 46 |
| 3 | CBTP(G)-0300 | 8 to 24 | 3.0 to 8.7 | 55 | 4.41 | 6.18 | 7.09 | 2.36 | 13.39 | 4.23 | 4.41 | 5.20 | 5.24 | 0.55 | 14.57 | 1.14 | 4.33 | 86 |
| 5 | CBTP(G)-0500 | 10 to 24 | 3.5 to 8.7 | 70 | 4.92 | 7.09 | 8.23 | 2.76 | 13.78 | 5.89 | 4.92 | 5.63 | 5.87 | 0.79 | 17.32 | 1.26 | 4.33 | 130 |

* Metric rated

** When ordering specify "P" for plain trolley or "G" for geared trolley

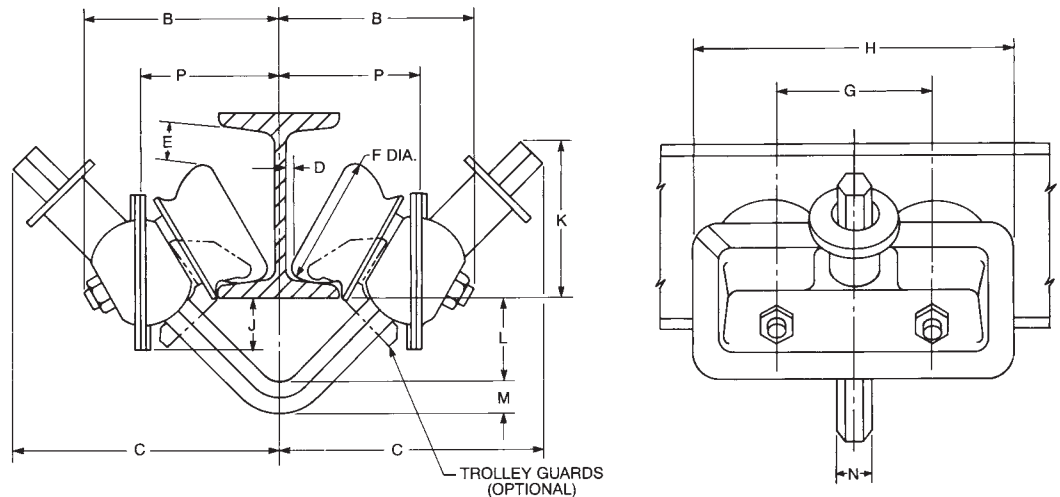


Series 632 Close Radius Trolley

- Negotiates radius curves as tight as 7" - 10".
- Made of the highest quality rolled steel.
- Unique double row, ball bearing wheel design provides five times greater wear capacity.
- Larger V-bars available for wider flange adjustment.
- For low headroom applications.
- Bearings prepacked with lifetime lubricant.
- Exclusive Dial-Fit collar quickly adapts trolley to a wide range of beams and patented rails.
- Dust covers shield and protect bearings.
- Trolleys available for larger beams, rails and tracks; contact YALE®.
- Cast iron trolley guards available (except for 3 ton).
- Lifetime Warranty.

A Compact Close Radius Trolley

With revolutionary advances, this shorter, more compact trolley is 50% lighter than competitive trolleys, yet every bit as tough.



Specifications & Dimensions

| Capacity* | Model # | Adj. for standard S-beam | | Tread diameter | Net weight | Ship Weight | Min* Radius Curve |
|-----------|---------|--------------------------|-----------------|----------------|------------|-------------|-------------------|
| | | Depth of Beam | Flange width | | | | |
| tons | | in | in | in | lbs | lbs | in |
| 1/4 & 1/2 | B3222 | 4-12 | 2-5/8 to 5-1/16 | 2-3/4 | 9 | 11 | 7 |
| 1 | B3224 | 4-12 | 2-5/8 to 5-1/16 | 2-3/4 | 10 | 12 | 7 |
| 1-1/2 & 2 | B3226 | 6-15 | 3-3/8 to 5-5/8 | 3-1/2 | 23 | 25 | 10 |
| 3 | B3230 | 8-18 | 4 to 6-1/4 | 3-1/2 | 29 | 32 | 10 |

| Capacity** | Model # | B | C | D | E | F | G | H | J | K | L | M | N | P | Q | R |
|------------|---------|--------|--------|-------|--------|-------|-------|----|-------|---------|---------|--------|-------|---------|-----|-------|
| tons | | in | in | in | in | in | in | in | in | in | in | in | in | in | in | in |
| 1/4 & 1/2 | B3222 | 4-1/4 | 5-7/8 | 3/16 | 13/16 | 2-3/4 | 3-3/8 | 7 | 1-1/8 | 3-3/8 | 1-13/16 | 1-1/16 | 7/8 | 3 | - | - |
| 1 | B3224 | 4-3/8 | 6 | 3/16 | 13/16 | 2-3/4 | 3-3/8 | 7 | 1-1/8 | 3-1/2 | 1-5/8 | 7/8 | 1 | 3-1/8 | - | - |
| 1-1/2 & 2 | B3226 | 5-5/8 | 7-1/2 | 3/8 | 2-3/16 | 3-1/2 | 4-1/2 | 9 | 1-1/2 | 4-3/8 | 2 | 1-1/8 | 1-1/4 | 3-7/8 | - | - |
| 3 | B3230 | 6-3/16 | 8-1/16 | 11/16 | 4-1/16 | 3-1/2 | 4-1/2 | 9 | 1-5/8 | 4-13/16 | 2-5/8 | 1-1/8 | 1-1/4 | 4-15/16 | 1/8 | 1-7/8 |

* All capacities can be supplied for S-beams larger than listed and also for wide flange beams, rails or track with approximately equivalent flange widths

** Dimensions given are for minimum S-beam and will vary with larger beams

Hook Suspension Trolleys

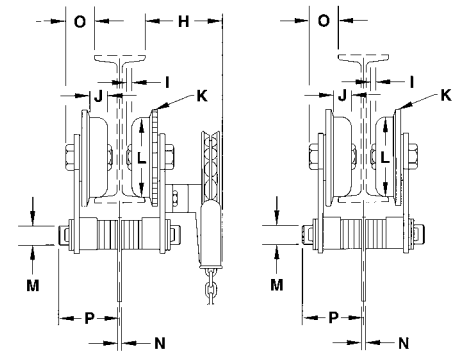
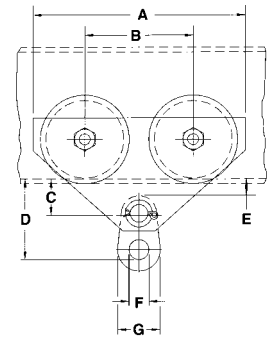


Push and Hand-Geared Trolleys

- Capacities 1/4 - 25 tons.
- Heavy rolled steel side frames extend beyond the wheels providing superior strength and added protection for trackwheels.
- Thick section steel clevis suspended from steel equalizer pin. Alloy steel axles and equalizer pins are heat treated for maximum strength and wear life.
- Trolley wheels are fully machined from alloy cast iron and hardened for high strength and long service life. Units 1/4 through 16 tons employ universal wheel treads for use on flat or tapered beam flanges. 25 ton model operates on American Standard I-beams with tapered flanges. For patented track, consult factory.
- Lifetime lubricated, precision ball bearings standard on units through 3 ton capacity. 4 ton trolleys and greater feature eight, sealed Timken, tapered roller bearings and grease fittings.
- On hand-gearred models, a hand chain operated wheel turns a machined steel drive pinion, engaging the two geared wheels.

| Capacity tons | Model # | | Beam Height in | Flange Width in | Minimum Radius Curve in | Net Weight | |
|------------------|-----------|-----------|-------------------|--------------------|----------------------------|--------------|---------------|
| | Plain | Geared | | | | Plain lbs | Geared lbs |
| 1/4 | 1641-0025 | 1642-0025 | 4-12 | 2.66-5.00 | 20 | 23 | 38 |
| 1/2 | 1641-0050 | 1642-0050 | 4-12 | 2.66-5.00 | 20 | 23 | 38 |
| 1 | 1641-0100 | 1642-0100 | 5-12 | 3.00-6.00 | 24 | 43 | 62 |
| 1-1/2 | 1641-0150 | 1642-0200 | 5-12 | 3.00-6.00 | 24 | 45 | 65 |
| 2 | 1641-0200 | 1642-0300 | 6-18 | 3.33-6.25 | 30 | 67 | 90 |
| 3 | 1641-0300 | 1642-0400 | 6-18 | 3.33-6.25 | 30 | 70 | 93 |
| 4 | 1641-0400 | 1642-0500 | 8-24 | 4.00-7.00 | 36 | 155 | 184 |
| 5 | 1641-0500 | 1642-0600 | 8-24 | 4.00-7.00 | 36 | 160 | 188 |
| 6 | 1641-0600 | 1642-0800 | 8-24 | 4.00-7.00 | 36 | 160 | 188 |
| 8 | 1641-0800 | 1642-1000 | 10-24 | 4.62-8.00 | 60 | 300 | 347 |
| 10 | 1641-1000 | 1642-1200 | 10-24 | 4.62-8.00 | 60 | 310 | 360 |
| 12 | 1641-1200 | 1641-1600 | 10-24 | 4.62-8.00 | 60 | 310 | 360 |
| 16 | 1641-1600 | 1641-1600 | 18-24 | 6.00-8.00 | 96 | 800 | 895 |
| 20 | 1642-2000 | 1642-2000 | 18-24 | 6.00-8.00 | 96 | 845 | 955 |
| 25 | 1631-2500 | 1632-2500 | 18-24 | 6.00-8.00 | 120 | 1045 | 1200 |

Note: Wheels with convex treads are standard on all capacities 1/4 - 20.
20, 25, 30 and 40 ton trolleys can be furnished in tandem construction - Dimensions for 30 thru 50 ton upon request. Dimensions shown are for minimum beam size and will vary proportionately for larger beams.



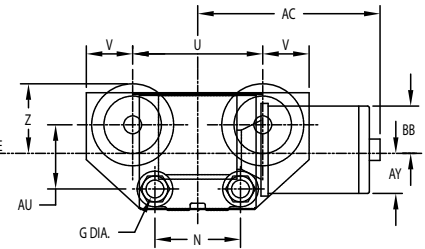
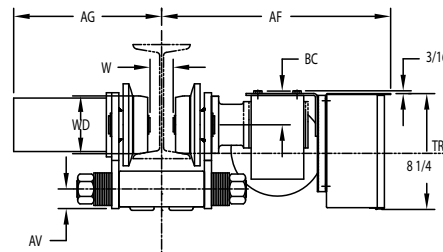
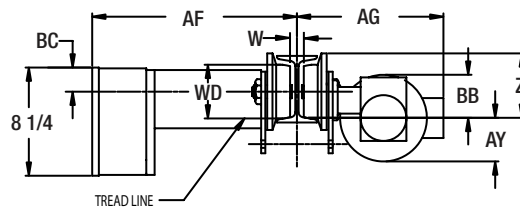
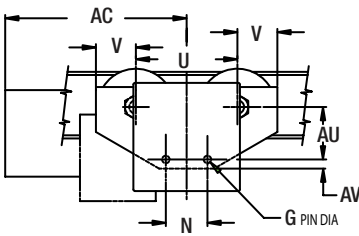
| Capacity tons | A in | B in | C in | D in | E in | F in | G in | H in | I in | J in | K in | L in | M in | N in | O in | P in |
|------------------|---------|---------|---------|---------|---------|---------|---------|----------|---------|---------|----------|---------|---------|---------|---------|---------|
| 1/4 | 11-1/2 | 6 | 1-7/8 | 4-7/8 | 7/8 | 1-3/4 | 2-3/4 | 6 | - | 7/8 | 4 | 2-7/8 | 1 | 1/4 | 2 | 4-1/8 |
| 1/2 | 11-1/2 | 6 | 1-7/8 | 4-7/8 | 7/8 | 1-3/4 | 2-3/4 | 6 | - | 7/8 | 4 | 2-7/8 | 1 | 1/4 | 2 | 4-1/8 |
| 1 | 13-1/4 | 6-3/4 | 2-1/4 | 5-3/8 | 1 | 1-3/4 | 3 | 6-1/8 | - | 1-1/8 | 5 | 3-3/4 | 1-1/4 | 1/4 | 1-3/4 | 4-3/4 |
| 1-1/2 | 13-1/4 | 6-3/4 | 2-1/4 | 5-3/8 | 1 | 2 | 3-1/4 | 6-1/8 | - | 1-1/8 | 5 | 3-3/4 | 1-1/4 | 3/8 | 1-3/4 | 4-3/4 |
| 2 | 15-5/8 | 7-5/8 | 2-5/8 | 6-3/4 | 1-1/8 | 2-1/8 | 3-5/8 | 6-1/8 | - | 1-1/8 | 6 | 4-1/2 | 1-1/2 | 3/8 | 2-1/8 | 5-1/4 |
| 3 | 15-5/8 | 7-5/8 | 2-5/8 | 6-7/8 | 1-1/8 | 2-1/4 | 4 | 6-1/8 | - | 1-1/8 | 6 | 4-1/2 | 1-1/2 | 1/2 | 2-1/8 | 5-1/4 |
| 4 | 18-3/4 | 8-1/2 | 3-1/4 | 8-3/8 | 1-1/4 | 2-3/4 | 4-3/4 | 8-1/8 | 1/8 | 1-3/8 | 8 | 6-3/8 | 2 | 5/8 | 2-5/8 | 6-1/8 |
| 5 | 18-3/4 | 8-1/2 | 3-1/4 | 8-5/8 | 1-1/4 | 3 | 5-1/2 | 8-1/8 | 1/8 | 1-3/8 | 8 | 6-3/8 | 2 | 5/8 | 2-5/8 | 6-1/8 |
| 6 | 18-3/4 | 8-1/2 | 3-1/4 | 8-5/8 | 1-1/4 | 3 | 5-1/2 | 8-1/8 | 1/8 | 1-3/8 | 8 | 6-3/8 | 2 | 5/8 | 2-5/8 | 6-1/8 |
| 8 | 23-5/8 | 10-5/8 | 3-7/8 | 10-5/8 | 1-3/8 | 3-1/2 | 6-1/2 | 9 | 1/8 | 1-11/16 | 10 | 8-1/4 | 2-1/2 | 3/4 | 3-1/4 | 6-7/8 |
| 10 | 23-5/8 | 10-5/8 | 3-7/8 | 11-1/8 | 1-3/8 | 4-1/2 | 8 | 9 | 1/8 | 1-11/16 | 10 | 8-1/4 | 2-1/2 | 1 | 3-1/4 | 6-7/8 |
| 12 | 23-5/8 | 10-5/8 | 3-7/8 | 11-1/8 | 1-3/8 | 4-1/2 | 8 | 9 | 1/8 | 1-11/16 | 10 | 8-1/4 | 2-1/2 | 1 | 3-1/4 | 6-7/8 |
| 16 | 28 | 12 | 4-3/4 | 13-3/4 | 1-7/16 | 4 | 9 | 10-11/16 | 1/4 | 1-3/4 | 11-11/16 | 9-3/4 | 3-1/4 | 1-1/4 | 4-5/8 | 7-5/8 |
| 20 | 28 | 12 | 4-3/4 | 16-3/4 | 1-7/16 | 4-1/2 | 10 | 10-11/16 | 1/4 | 1-3/4 | 11-11/16 | 9-3/4 | 3-1/4 | 1-1/4 | 4-5/8 | 7-5/8 |
| 25 | 28-1/4 | 14 | 5-7/8 | 16-3/4 | 2-1/8 | 4 | 10 | 14-1/2 | 5/16 | 2 | 13-1/2 | 11-3/4 | 3-1/4 | 1-3/4 | 7 | 8-1/4 |

Note: For wide flange beam adaptation, patented track or for beams larger than standard consult factory
For geared trolley, weight is shown less chain. 8ft standard zinc plated hand chain drop on geared trolley. Specify curve on order.



- Steel frame side plates extend beyond the wheels for end stop contacts. Side plates have tapped holes for collector bracket attachment. Optional drop stops and bumpers.
- Wheels are forged heat-treated steel with contour tread for use on American Standard I-beam or wide flange beams.
- Traverse motor is 30-minute rated, totally enclosed non-ventilated with class "F" insulation with thermal switches as standard to protect the motor from over-heating.
- Traverse gearing is housed in a heavy duty right angle drive reducer with output pinion meshing with machine cut wheel gears.
- Trolley controls are housed in a NEMA 1 enclosed panel mounted on the trolley side for easy access. The controls include a reversing contractor, terminal strip and NEMA 4X pendant station with hoist and trolley push-button controls as standard.

1/4-1 & 2 ton



Specifications & Dimensions

| Capacity | Model # | Standard Width Adjustment | Optional Flange Extended Adjustment | | Trolley Speed | Optional Standard Speeds | Special Speed | Motor |
|----------|---------|---------------------------|-------------------------------------|-----------------|---------------|--------------------------|---------------|-------|
| | | | 1st Extension | 2nd Extension | | | | |
| tons | | in | in | in | FPM | FPM | FPM | HP |
| 1/4 to 1 | MDT01 | 3 to 5 | 5-1/8 to 7-1/4 | 7-1/2 to 9-1/8 | 75 | 50 & 100 | 25, 150 | 1/4 |
| 2 | MDT02 | 3-5/8 to 6 | 6-1/4 to 8-5/8 | 8-7/8 to 11-1/4 | 60 | 40 & 80 | 30, 120 | 1/4 |
| 3 | MDT03 | 4 to 6-1/4 | 6-3/8 to 8-5/8 | 8-3/4 to 11 | 50 | 75 & 100 | 25, 125 | 1/4 |

| Capacity | Model # | AC | AF Max | AG Max | AU | AV | AY | BB Max | BC | G Dia | N | U | V | W Max | Z | WD | Min Radius |
|----------|---------|----------|---------|--------|-------|---------|---------|--------|---------|-------|-------|-------|-------|-------|-------|----|------------|
| tons | | in | in | in | in | in | in | in | in | in | in | in | in | in | in | in | in |
| 1/4 to 1 | MDT01 | 12 | 16-7/8 | 12-1/2 | 3-7/8 | 3/4 | 2-9/16 | 3-1/8 | 1-13/16 | 5/8 | 3-1/8 | 7-3/4 | 3 | 2-1/2 | 4-7/8 | 4 | 3 |
| 2 | MDT02 | 12 | 16-7/8 | 12-1/2 | 4-1/8 | 1-15/16 | 1-15/16 | 2-1/16 | 2-7/16 | 1 | 5 | 9-1/8 | 3 | 2-1/4 | 4-7/8 | 4 | 5 |
| 3 | MDT03 | 12-13/16 | 17-3/16 | 11-1/2 | 4-1/2 | 1-3/8 | - | - | 2-1/8 | 1-1/4 | 6 | 9-1/8 | 3-1/4 | 2-1/2 | 4-7/8 | 4 | 5 |

3 ton Motor Driven Trolley

Always specify voltage when ordering. Voltages available: 115/230-1-60, 208-230/460-3-60, 575-3-60

115/230-1-60 is not available on trolleys for two speed hoists or two speed trolley.

Two speed trolleys have a 3:1 speed ratio. Standard pendant drop from trolley is 7 feet. Longer cables are available.

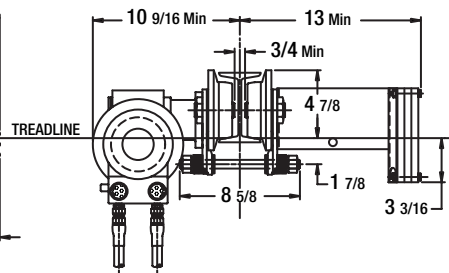
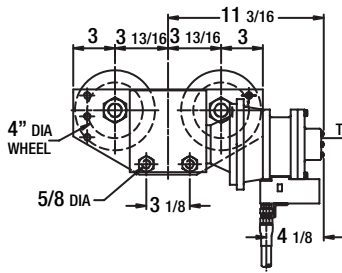
Trolleys are equipped with 3-foot length power supply cable. Longer lengths are available.

Air Motor Driven Trolleys

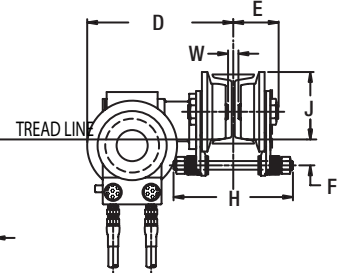
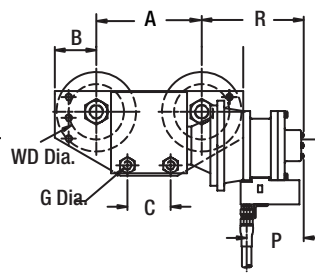


- Steel frame side plates extend beyond the wheels for end stop contacts. Side plates have tapped holes for collector bracket attachment.
- Wheels are forged heat-treated steel with contoured tread for use on American Standard tapered or wide flange beams.
- Wheel bearings are sealed lifetime lubricated precision ball bearings
- Traverse gear reducer is rugged right angle drive reducer with output pinion meshing with machine cut wheel gears. The drive units are shipped with high-grade synthesized hydrocarbon oil for excellent gear protection and wide temperature range capacities.
- Eight vane air motor provides high torque, smooth starting and excellent control.
- Pendant throttle control provides precise, controlled spotting and efficient load handling.
- Spark resistant models are available for those areas where protection is needed in a hazardous environment. They contain all the same features except for the introduction of a spark resistant bronze wheel.

YAL



KALC

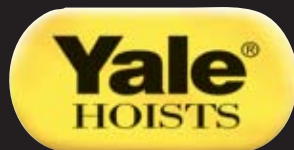


Specifications & Dimensions

| Capacity | Model # | Flange Width Adjustment | Traverse Speed | A | B | C | Max D | Max E | Min F | Dia G | H | Max J | Max L |
|---------------------------------|---------|-------------------------|----------------|-------|-------|-------|---------|-------|--------|-------|-------|--------|---------|
| tons | | in | FPM | in | in | in | in | in | in | in | in | in | in |
| Standard Trolleys | | | | | | | | | | | | | |
| 1/4, 1/2, 1 | 911706 | 3 to 5 | 50 | 7-5/8 | 3 | 3-1/8 | 11-9/16 | 4-1/2 | 1-7/16 | 5/8 | 8-7/8 | 5-1/8 | 3-11/16 |
| 2 | 911707 | 3-5/8 to 6 | 60 | 9-1/8 | 3 | 5 | 12-1/16 | 5 | 1-5/8 | 1 | 9-1/2 | 5-3/16 | 3-5/8 |
| 3 | 911708 | 4 to 6-1/4 | 60 | 9-1/8 | 3-1/4 | 6 | 12-1/2 | 5 | 1-7/8 | 1-1/4 | 12 | 5-5/8 | 3-1/2 |
| Spark Resistant Trolleys | | | | | | | | | | | | | |
| 3/8, 1/2, 3/4 | 911710 | 3 to 5 | 50 | 7-5/8 | 3 | 3-1/8 | 11-9/16 | 4-1/2 | 1-7/16 | 5/8 | 8-7/8 | 5-1/8 | 3-11/16 |
| 1 | 911711 | 3-5/8 to 6 | 60 | 9-1/8 | 3 | 5 | 12-1/16 | 5 | 1-5/8 | 1 | 9-1/2 | 5-3/16 | 3-5/8 |
| 2 | 911712 | 4 to 6-1/4 | 60 | 9-1/8 | 3-1/4 | 6 | 12-1/2 | 5 | 1-7/8 | 1-1/4 | 12 | 5-5/8 | 3-1/2 |

| Capacity | Model # | Flange Adjustment | | | Min Beam Depth | Net Weight | | | | | | | |
|---------------------------------|---------|-------------------|-------|--------|----------------|------------|----------|---------------|----------------|-----------------|-----|----|----|
| | | P | R | Min W | | | Standard | 1st Extension | 2nd Extension | lbs | | | |
| | | in | in | in | in | in | in | in | in | in | in | in | in |
| Standard Trolleys | | | | | | | | | | | | | |
| 1/4, 1/2, 1 | 911706 | 4-1/8 | 7-3/8 | 1/2 | 4 | 3'-0" | 6 | 3 to 5 | 5-1/8 to 7-1/4 | 7-1/2 to 9-1/8 | 95 | | |
| 2 | 911707 | 4-1/8 | 6-5/8 | 1-1/16 | 4 | 5' | 7 | 3-5/8 to 6 | 6-1/4 to 8-5/8 | 8-7/8 to 11-1/4 | 105 | | |
| 3 | 911708 | 4-1/8 | 6-5/8 | 1-3/8 | 4 | 5' | 8 | 4 to 6-1/4 | 6-3/8 to 8-5/8 | 8-3/4 to 11 | 150 | | |
| Spark Resistant Trolleys | | | | | | | | | | | | | |
| 3/8, 1/2, 3/4 | 911710 | 4-1/8 | 7-3/8 | 1/2 | 4 | 3'-0" | 6 | 3 to 5 | 5-1/8 to 7-1/4 | 7-1/2 to 9-1/8 | 95 | | |
| 1 | 911711 | 4-1/8 | 6-5/8 | 1-1/16 | 4 | 5' | 7 | 3-5/8 to 6 | 6-1/4 to 8-5/8 | 8-7/8 to 11-1/4 | 105 | | |
| 2 | 911712 | 4-1/8 | 6-5/8 | 1-3/8 | 4 | 5' | 8 | 4 to 6-1/4 | 6-3/8 to 8-5/8 | 8-3/4 to 11 | 150 | | |

Equipped with 7 foot pendant control hose.
 Always specify the hoist catalog number that will operate with the trolley.
 Models for patented track with narrow flat tread steel wheels are available.
 Models with extended beam flange adjustment are available.



A Columbus McKinnon Brand

⚠ WARNING

To Avoid Injury:

- Do not exceed working load limit, load rating, or capacity.
- Do not use to lift people or loads over people.
- Read and follow all instructions.

For additional information contact your Yale representative or Yale headquarters direct.

414 West Broadway Ave. • P.O. Box 769 • Muskegon, Michigan 49443-0769

PHONE (800) 742-9269 • FAX (800) 742-9270

www.yalehoists.net

